

# TEAC

## SERVICE MANUAL

---

# CT-M661SR

## 66cm High Resolution CTV

---

Effective: February, 1997

CTM661RSERV

SPECIFICATION

SYSTEM	:	PAL- B/G	(FOR AUSTRALIA)
		----	TV SECTION ----
CHANNEL COVERAGE VHF LOW	:	0-5	CH.
VHF HIGH	:	5A-11	CH.
UHF	:	21-65	CH.
FREQUENCY RANGE VHF LOW	:	47-108	MHz
VHF HIGH	:	137-230	MHz
UHF	:	470-830	MHz
VISION/SOUND SEPARATION	:	5.5	MHz
FREQUENCY VIDEO IF	:	38.9	MHz
SOUND IF	:	33.4	MHz
STEREO SENSITIVITY	:	40	dBuV
SENSITIVITY VHF LOW	:	47	dBuV
(AT 30dB S/N) VHF HIGH	:	47	dBuV
UHF	:	50	dBuV
SCANNING LINES	:	625	lines
HORIZONTAL	:	15625	Hz
VERTICAL	:	50	Hz
OUTPUT POWER MAXIMUM	:	4500	mW
10% THD	:	3000	mW
C R T	:	28" DIAGONAL, 110° DEGREES DEFLECTION ANGLE	
SPEAKER	:	4" 8 OHM 7W x 2	
ANTENNAL EXTERNAL	:	75	OHM
POWER CONSUMPTION	:	120 WATT MAX	

## VIF ALIGNMENT

### A. Preparation Step (See Fig. 1)

- (i) Connect AGC bias voltage to pin 10 at IC102, the DC supply should be turned off this time.
- (ii) Connect 14V B+ bias voltage to D404 (-) and Ground.
- (iii) Connect 14V B+ bias voltage to C923 (+) and Ground.
- (iv) Connect sweep generator to tuner test point and Ground.

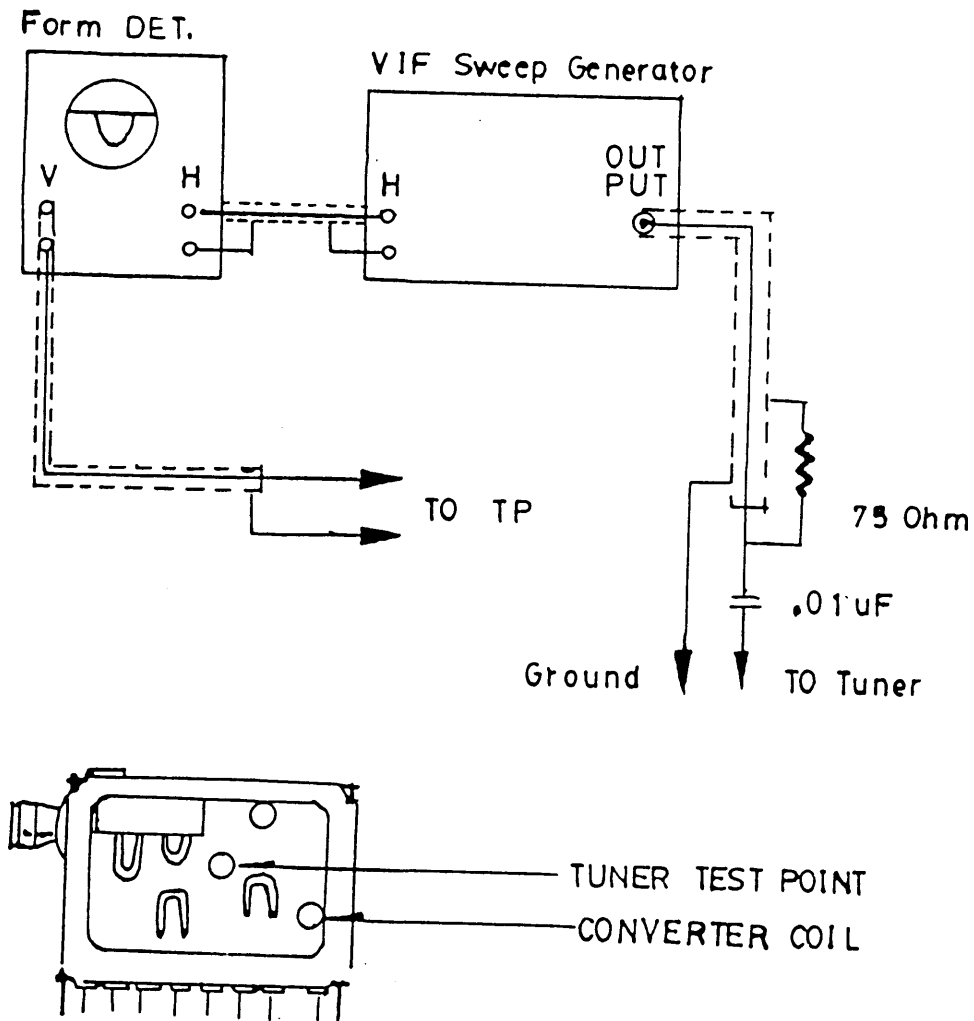


Fig.1

9. Tank Coil Alignment Step (See Fig. 2)

- (i) Calibrate the Division of waveform Detector equal to 100 mV per div.
- (ii) The output of sweep generator should be -50dB.
- (iii) Connect the waveform detector between L103 and Ground.
- (iv) Adjust AGC bias until the output waveform equal to 1V p.p. (10 div.)

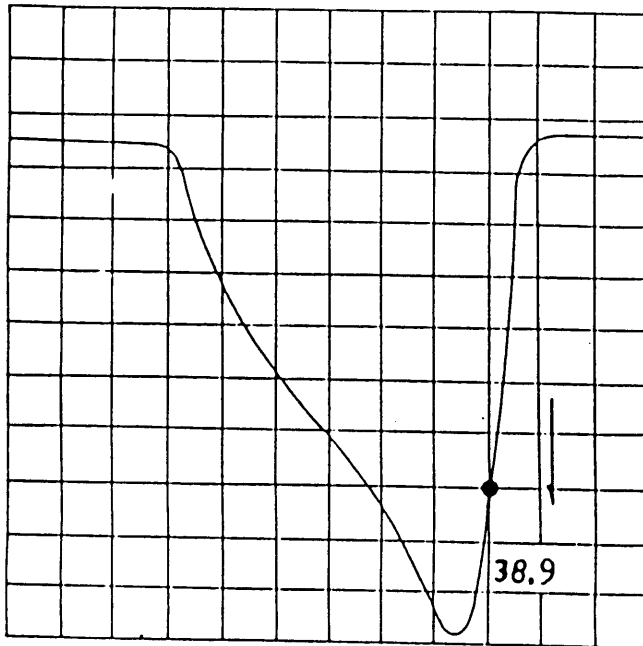


Fig. 2

- (v) Turn T101 until the marker 38.9MHz falls to the lowest point as Fig.2.

C. VIF ALIGNMENT

- (i) Connect waveform detector to L103 and Ground.
- (ii) Connect 100 ohm resistor between TP103 and TP104.
- (iii) Adjust T105 until obtain the maximum waveform amplitude.  
(If Provided.)
- (iv) Reduce output level of sweep generator to -50dB.
- (v) Adjust AGC bias to maintain the waveform achieve 1V p-p.
- (vi) Adjust tuner convertor coil to obtain the waveform as Fig.3.

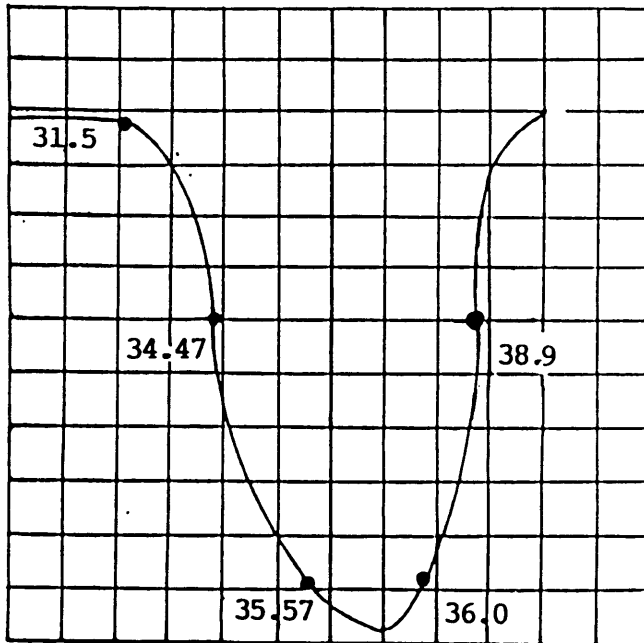


Fig. 3

D. AFC ALIGNMENT

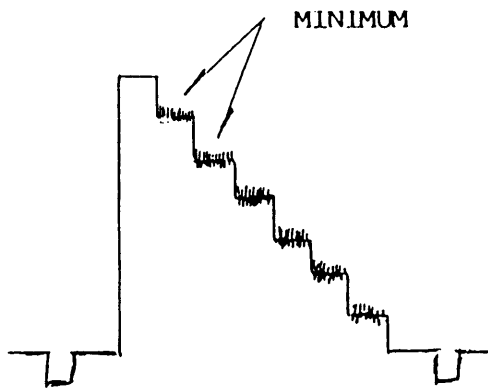
- (i) Connect Philips Pattern Generator to tuner test point and Ground (Frequency is 38.9 MHz color bar)
- (ii) Connect Digital multimeter to PIN 18 at IC102.
- (iii) Adjust T101 to obtain a DC 6V.

E. SOUND TANK COIL ALIGNMENT

- (i) Connect Philips Pattern Generator to tuner test point and Ground (Frequency is 38.9 MHz color bar)
- (ii) Connect Digital multimeter to PIN 12 at IC101.
- (iii) Adjust T103 to obtain a DC 2.8V.

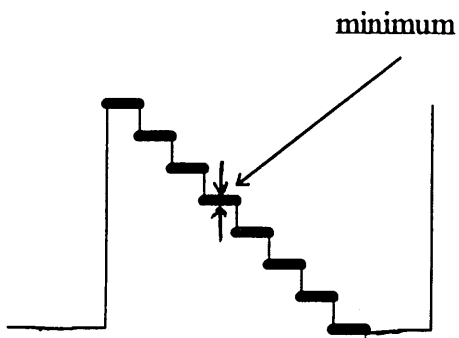
### NTSC CHROMA TRAP ADJUSTMENT

- (1) Receive a NTSC colour bar signal from AV input.
- (2) IC304 PIN 20.
- (3) Adjust color control to minimum.
- (4) Adjust T303 to get the waveform as follow.



### PAL CHROMA TRAP ADJUSTMENT (FOR DK/I)

- (1) Receive PAL colour bar signal
- (2) Connect scope to PIN 20 on IC304.
- (3) Adjust colour control to **minimum**.
- (4) Adjust T302 to get the waveform as follow.



### PAL CHROMA ALIGNMENT ( PAL ONLY)

- (1) Connect OSC to PIN 15 of IC307 through a 10K  $\pm$ 5% resistor.
- (2) Receive a PAL colour bar signal.
- (3) Adjust T305 to get a maximum amplitude waveform.



F. SIF ALIGNMENT

- (i) Connect the sweep generator to TP105.
- (ii) Connect waveform detect to PIN 1 and PIN 3 at CN306
- (iii) Connect AGC Bias voltage to TP101.
- (iv) The output of sweep generator should be -40dB.
- (v) Adjust T104 and T102 to obtain the waveform as Fig.5.

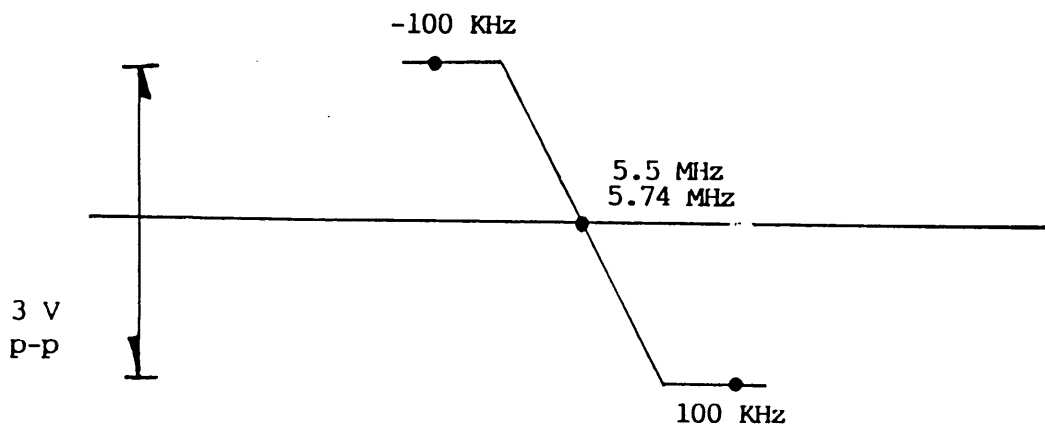


Fig. 5

#### H. Separation Alignment

- (1) Receive color bar pattern (with stereo sound, L 3 KHz  
R 1 KHz).
- (2) Connect Digital multimeter to PIN 1 at CN201 and ground.
- (3) Adjust volume control to obtain a 0.89 Vrms.
- (4) Switch off the left channel signal (3 KHz) from the  
signal generator.
- (5) Adjust VR060 to make a minimum output level.

#### B+ ADJUSTMENT

- 1) Connect a digital volt meter to TPB+ and ground.
- 2) Set Brightness, contrast and colour to minimum.
- 3) Adjust VR901 and obtain a reading of 143V.

#### HORIZONTAL CIRCUIT ADJUSTMENT

- 1) Receive Monoscope Pattern input signal 80dBuV.
- 2) Connect terminal 25 pin of IC102 and the ground with the Elect.Cap. 10/16
- 3) Adjust VR103 to obtain the picture running at center.
- 4) Adjust VR102 to obtain the picture at center.

#### VERTICAL CIRCUIT ADJUSTMENT

- 1) Receive the Monoscope Pattern.
- 2) Adjust V-size (VR401) to obtain a normal picture.

#### WHITE BALANCE ALIGNMENT STEP

(deguss the picture by deguassing coil if necessary)

- 1) Receive a channel from pattern generator, and switch off all pattern.
- 2) Turn the brightness, contrast and colour control to minimum.
- 3) Turn VR501,502,503,504,505 to central position.
- 4) Turn VR301 to central position and get a 2V DC voltage at L301.
- 5) Adjust screen control on flyback transformer, until no emission on CRT picture.
- 6) Adjust VR501,504,502 to get cut off balance. (black level balance)
- 7) Adjust VR503,505 to get white balance.

#### SUB-BRIGHTNESS ALIGNMENT

- 1) Receive a colour bar pattern.
- 2) Turn the brightness, contrast and colour to minimum.
- 3) Adjust VR301 until the brightest bar can just be seen.

#### FOCUS ALIGNMENT

- 1) Set the brightness and contrast to middle position.
- 2) Receive a monoscope pattern.
- 3) Adjust focus control to obtain sharpest picture.

#### AGC ALIGNMENT

- 1) Receive CH69 (UHF) and input field strength in 63dB  $\pm$ 3dB input.
- 2) Adjust VR101 to the point where noise is disappeared.

#### EAST-WEST CORRECTION ADJUSTMENT

##### FOR PAL SYSTEM

- 1) Receive a pattern with centre cross and crosshatch.
- 2) After vertical size adjustment, adjust VR403 for picture size, adjust VR402 for correction.

##### FOR NTSC SYSTEM

- 1) Receive a pattern with centre cross and crosshatch from AV input.
- 2) Adjust VR404 for E-S correction.

VOLTAGE TABLE FOR IC

SYMBOL PIN NO.	IC102 (V)	IC101 (V)	IC307 (V)	IC401 (V)	
1	5.1	1.7	6.5	2.2	
2	2.8	2.1	7.2	0.00	
3	3.7	2.5	6.5	1.6	
4	3.4	0.937	7.22	0.00	
5	3.9	1.82	9.65	0.13	
6	0.0	2.17	9.6	25.0	
7	11.5	2.17	4.34	1.9	
8	5.5	1.8	3.45	4.35	
9	5.5	1.8	0.00	24.34	
10	2.4	4.1	4.38		
11	1.88	4.1	0.00		
12	2.46	2.79	2.32		
13	3.0	0.04	11.5		
14	1.5	1.67	5.7		
15	2.29	1.77	3.36		
16	0.0	2.95	7.9		
17	3.5	0.03	2.5		
18	6.28	0.00	7.6		
19	6.18	5.15	2.8		
20	5.6	1.78	7.68		
21	5.6		2.7		
22	9.4		5.47		
23	2.8		7.2		
24	2.9		1.26		
25	4.5				
26	0.787				
27	1.18				
28	3.3				

NOTE : VOLTAGE ARE TAKEN UNDER TUNED CONDITION WITH

- CONTRAST : Maximum Position
- BRIGHTNESS : Maximum Position
- COLOR : Maximum Position
- SIGNAL INPUT : 80 dBuV
- CHANNEL SETTING : The Last Channel of UHF High
- SIGNAL PATTERN : Colour Bar

VOLTAGE TABLE FOR IC

SYMBOL PIN NO.	IC302 (V)	IC303 (V)	IC304 (V)	IC305 (V)	IC306 (V)
1	3.649	5.2	3.29	4.1	5.56
2	0	0	11.8	0.03	0.00
3	3.65	4.07	8.2	3.39	0.00
4	3.65	0.00	0.00	3.39	0.00
5	3.65	3.966	7.8	2.5	0.627
6	3.68	3.904	0.1	4.8	0.00
7	3.68	0.00	0.00	4.18	0.87
8	0.004	0.00	0.00	4.26	0.00
9	0.115	4.3	4.3	4.97	5.5
10	0.01	4.06	4.1	11.4	0.00
11	3.027	0.39	2.9	2.34	3.01
12	0.0	5.28	0.00	10.0	3.01
13	2.99	5.3	0.00	0.00	0.00
14	11.838	0.00	4.06	1.2	1.36
15	0.016	4.63	4.09	7.4	0.00
16	2.98	4.6	2.3	3.7	1.37
17		3.46	2.06	0.00	
18		0.00	0.00	0.00	
19		0.00	3.36		
20		3.8	3.33		
21		0.00			
22		4.578			
23		0.00			
24		5.315			
25					
26					
27					
28					

NOTE : VOLTAGE ARE TAKEN UNDER TUNED CONDITION WITH

CONTRAST : Maximum Position  
 BRIGHTNESS : Maximum Position  
 COLOR : Maximum Position  
 SIGNAL INPUT : 80 dBuV  
 CHANNEL SETTING : The Last Channel of UHF High  
 SIGNAL PATTERN : Colour Bar

VOLTAGE TABLE FOR TRANSISTOR							
SYMBOL	B (V)	C (V)	E (V)	SYMBOL	B (V)	C (V)	E (V)
Q101	10.2	10.9	11	Q307	10 mV	11.1	0
	11.1	0	11.1	Q308	10 mV	11.1	0
Q102	10.9	3 mV	11	Q401	0.4	8.4	0
	11	3 mV	11.1	Q402	-0.1	113	0
Q103	0.6	5 mV	0	Q403	1.7	10.9	0.1
	30 mV	11	0	Q404	10.8	0.6	11.4
Q104	36 mV	11	0	Q405	0.6	9.1	11.4
	36 mV	11	0	Q406	10 mV	1.7	1.2
Q105	1	8	0.3	Q503	11.3	139	10.8
Q106	12 mV	2.4	0	Q551	10.8	136.5	10.8
Q107	30 mV	11	0	Q552	11.3	132	10.8
	0.64	46 mV	0	Q554	3.3	10.8	2.7
Q108	11	0.1	11	Q555	3.2	10.8	2.6
	10.2	11	11.1	Q556	3.2	10.8	2.6
Q109	3.7	11	3.1	Q601	0.6	1.1	0
Q201	18.6	18	18	Q602	0.6	56 mV	3 mV
Q302	1.9	1.7	0	Q603	8.6	10.9	8.3
Q303	42	80.8	0	Q604	2 mV	0.25	0
Q304	3.8	11.1	3.1	Q605	0.26	1.1	0
Q305	50 mA	11.1	10 mV	Q905	0.6	0.6	0
Q306	-3	10.5	0	Q909	-36.4	202	-35
				Q910	-31	-30	-31
				Q911	-26	-30	-31
				Q912	-22	-18.4	-30

NOTE : VOLTAGE ARE TAKEN UNDER TUNED CONDITION WITH

CONTRAST : Maximum Position

BRIGHTNESS : Maximum Position

COLOR : Maximum Position

SIGNAL INPUT : 80 dBuV

CHANNEL SETTING : The Last Channel of UHF High

SIGNAL PATTERN : Colour Bar

**MODEL NO.: CT-M661SR Chassis type GT-**

Part Number	Description	Qty
10780045546	455K HZ RESONATOR "WEI HAW"	1
11310100517	CARBON FILM RESISTOR 100 OHM 1/16W +-5%	2
11310200517	CARBON FILM RESISTOR 1K OHM 1/16W +-5%	1
11310300517	CARBON FILM RESISTOR 10K OHM 1/16W +-5%	1
11310900517	CARBON FILM RESISTOR 1 OHM 1/16W +-5%	1
11347300517	CARBON FILM RESISTOR 47K OHM 1/16W +-5%	1
11368200517	CARBON FILM RESISTOR 6.8K OHM 1/16W +-5%	1
12747604203	ELECT. CAP. 47 MFD 16V +-20%	1
13060010100	INFRARED EMITTER EL-1L1 KODENSHI	1
13121071929	TRANSISTOR 2SA719R/S MATSUSHITA	1
13123094500	TRANSISTOR 2SC945 NEC	1
13380301033	I.C. SAA3010T PHILIPS	1
17272600099	BARE WIRE 54MM	0.1
190R6330002	REMOTE P.C.B. (140896)	1
51626040810	SELF-TAPPING SCREW 2.6 X 8 P/T (HARDEN)	2
774R6330100	BATTERY SPRING (+VE)	1
774R6330200	BATTERY SPRING (-VE)	1
774R6330300	BATTERY SPRING (+-VE)	1
81004110413	POLYBAG 4" X 11" X 0.04MM W/RE-CYCLING MARK	1
849R6330100	KEY PAD {FULL 40 KEYS}	1
892R6330102	DIAL KEY PLATE - ENG STD W/RED /YELLOW/GREEN/BLUE/SILVER SS	1
900R6330103	HANDSET TOP CABINET -MATT BLK. SPRAYED W/SILVER 8001C S.S.	1
902R6330103	HANDSET BOTTOM CABINET - MATT BLACK SPRAYED	1
910R6330117	HANDSET BATTERY DOOR - TEAC DESIGN (RC-651)(CT-M661SR) BLK	1
973R6330100	VOLUME/CHANNEL KNOB - MOULDED BLACK	1
00212802540	28" CRT A66ECY13X25 S/H VIDEO COLOR	1
00313142402	TUNER OSCAR UVE33-W24/R16-3649 MITSUMI (HIGH JACK)	1
00890029104	DEGAUSSING COIL 90T (W/FIVE LAYERS OF TAPE) FOR 29"	1
10773150000	SAW FILTER TSB-5308U (SANYO)	1
10773891600	SAW FILTER TSF-5316 SANYO	1
11315310517	CARBON FILM RESISTOR 15K OHM 1/4W +-5%	2
11322310167	METAL FILM RESISTOR 22K OHM 1/4W +-1%	1
1662812244E	SPEAKER 2-1/4" X 6-1/4" 8 OHM 12W	2
17155008402	84" AC LINE CORD (END-CUT)SAA APPW/7.5A PLUG.	1
18622750314	BATTERY 3A	2
19130101907	3 PIN SOCKET ASS'Y L=30MM (PIN 2,3 W/RESISTOR 1K OHM 1/4W)	1
19140100507	4 PIN SOCKET ASS'Y L=450MM	1
610628A0203	GIFT BOX - TEAC DESIGN (W/NTSC PLAYBACK) K3A3A3K (CT-M661SR)	1
61888280100	PACKING PAD (FOR POLYFOAM)	2
66323058296	SERIAL NO.LABEL - OC:GT-582/96	2
6698828015R	RATING PLATE - TEAC DESIGN (CT-M661SR) 240V	1
670628A0007	I/MANUAL - TEAC DESIGN (CT-M661SR) 40PROG.	1
67892210302	TELETEXT COMPLEMENT - TEAC DESIGN	1
67892210903	EASY TUNE CARD (A) - TEAC (A) DESIGN	1
67893131502	TOTAL CARE LABEL - TEAC DESIGN (BLK & WHITE)	1
67893280020	SCREEN STICKER - TEAC DESIGN (CT-M661SR)	1
67894210159	POLYBAG WARNING LABEL - TEAC DESIGN	1
69092213901	WARRANTY CARD- TEAC (A) DESIGN	1
69393280003	EAN CODE LABEL - 9313060007591	1
703628A0101	SPEAKER GRILLE (RIGHT) - MATT BLACK DOUBLE SIDE W/SPRAY	1
703628A0201	SPEAKER GRILLE (LEFT) - MATT BLACK DOUBLE SIDE W/SPRAY	1

800628A0100	POLYFOAM - TOP LEFT		1
800628A0200	POLYFOAM - TOP RIGHT		1
800628A0300	POLYFOAM - BOTTOM LEFT		1
800628A0400	POLYFOAM - BOTTOM RIGHT		1
82643200500	FOAM SHEET - 43" X 20" X 0.5MM	THK	1
82647350500	FOAM SHEET - 47" X 35" X 0.5MM	THK	1
884628A0301	P/PLATE - BLK W/L.GREY SS ENG	STD (14 HOLES)W/NTSC,AUTO TU	1
88488202002	JACK COVER-TEAC DESIGN WHI SS.	W/21 PIN SOCKET HOLE	1
900628A0104	FRONT CABINET - GREY (426U)		1
902882802U2	BACK CABINET -MATT BLACK SPRAY		1
917628A0103	REMOTE LENS - TEAC DESIGN	(GOLD S.S.)	1
919628A0105	P/DOOR-TEAC A DESIGN (CABLE RE	ARY WORDING(CT-M661SR)GOLD	1
980882014U1	JACK PLATE W/SCART/BRASS INSER	T (521-882001-00 2 PCS./SET)	1
9868828010U	NAME PLATE - TEAC (A) DESIGN	(BIG SIZE)	1
991628A0100	POWER KNOB - BLACK MOULDED		1
00122990105	FLYBACK TRANSFORMER F27901-02	GOLDSTAR	1
01210234006	SEMI-FIXED RESISTOR EVND8AA	03B13 1KB	2
01210434006	SEMI-FIXED RESISTOR EVND8AA	03B15 100KB	1
01220233006	SEMI-FIXED RESISTOR EVND2AA	03B23 2KB	5
01220334006	SEMI-FIXED RESISTOR EVND8AA	03B24 20KB	2
01250234006	SEMI-FIXED RESISTOR EVND8AA	03B53 5KB	3
01250334006	SEMI-FIXED RESISTOR EVND8AA	03B54 50KB	2
10119100996	HORIZONTAL DRIVE TRANSFORMER	(R1009)	1
10128827095	LINE FILTER LB28T270		1
10149026094	SWITCH POWER TRANSFORMER 28"	KB49C260 "HIGHLIGHT"	1
10237060002	TANK COIL / AFC COIL COILS	707851	1
10267130002	SOUND IF COIL. COILS 710256		2
10267160002	SOUND IF COIL KHC-823087	"COILS"	1
10277031002	CHROMA FILTER KH-814657	"COILS"	1
10287050002	DOSC COIL. COILS 707534		1
10510010308	FIXED INDUCTOR COIL 10 UH	+ -10% AXIAL	2
10515010102	FIXED INDUCTIVE COIL 15UH 10%		1
10520110602	CHOKE COIL 200UH 10% CH9012-	201K (ELEC PRODUCT)	2
10525010235	LINEARITY COIL 25UH LX142242A	HIGHLIGHT	1
10556010102	FIXED INDUCTOR COIL 56uH + -10%	CW-560K-455-705111	3
10568910308	FIXED INDUCTOR COIL 6.8 UH	+ -10% AXIAL	1
10582115606	CHOKE COIL 820UH 0.37 OHM	HIGHLIGHT	1
10582810302	FIXED INDUCTIVE COIL 0.82UH	10% AXIAL TYPE	1
10582910308	FIXED CONDUCTOR COIL 8.2 UH	+ -10% AXIAL	3
10621001201	RELAY 12V OMIT-SS-112LM	ORIGINAL	1
10710443066	CHROMA TRAP CERAMIC FILTER	4.43 MHZ WEI HAW	1
10710550066	SOUND TRAP CERAMIC FILTER	5.5MHZ WEI HAW	1
10730550016	SOUND BYPASS CERAMIC FILTER	5.5MHZ WEI HAW	1
10730574016	SOUND BYPASS CERAMIC FILTER	5.74MHZ SFE-5.74MC MURATA	1
11110320123	VERIABLE RESISTOR 10K (EVU-E2A	20B14 MATSUSHITA)	1
1111042812A	VERIABLE RES. W/CENTRE CHICK	100K (VA09CVI U 20TMB100K HDK)	1
11310010517	CARBON FILM RESISTOR 10 OHM	1/4W + -5%	5
11310020512	CARBON FILM RESISTOR 10 OHM	1/2W + -5%	1
11310050575	METAL OXIDE FILM RESISTOR 10	OHM 3W + -5%	1
11310110517	CARBON FILM RESISTOR 100 OHM	1/4W + -5%	11
11310110517	CARBON FILM RESISTOR 100 OHM	1/4W + -5%	9
11310130575	METAL OXIDE FILM RESISTOR 100	OHM 1W + -5%	1
11310210517	CARBON FILM RESISTOR 1K OHM	1/4W + -5%	11
11310210517	CARBON FILM RESISTOR 1K OHM	1/4W + -5%	12
11310210517	CARBON FILM RESISTOR 1K OHM	1/4W + -5%	10
11310230575	METAL OXIDE FILM RESISTOR 1K	OHM 1W + -5%	1



11310310167	METAL FILM RESISTOR 10K OHM	1/4W +-1%	1
11310310517	CARBON FILM RESISTOR 10K OHM	1/4W +-5%	10
11310310517	CARBON FILM RESISTOR 10K OHM	1/4W +-5%	9
11310310517	CARBON FILM RESISTOR 10K OHM	1/4W +-5%	10
11310410517	CARBON FILM RESISTOR 100K OHM	1/4W +-5%	3
11310430575	METAL OXIDE FILM RESISTOR 100K	OHM 1W +-5%	1
11310510167	METAL FILM RESISTOR 1M OHM	1/4W +-1%	1
11310930575	METAL OXIDE FILM RESISTOR 1	OHM 1W +-5%	1
11312030575	METAL OXIDE FILM RESISTOR 12	OHM 1W +-5%	1
11312040575	METAL OXIDE FILM RESISTOR 12	OHM 2W +-5%	1
11312110517	CARBON FILM RESISTOR 120 OHM	1/4W +-5%	3
11312210517	CARBON FILM RESISTOR 1.2K OHM	1/4W +-5%	9
11312220512	CARBON FILM RESISTOR 1K2 OHM	1/2W +-5%	1
11312310517	CARBON FILM RESISTOR 12K OHM	1/4W +-5%	1
11315010517	CARBON FILM RESISTOR 15 OHM	1/4W +-5%	4
11315120512	CARBON FILM RESISTOR 150 OHM	1/2W +-5%	2
11315210517	CARBON FILM RESISTOR 1.5K OHM	1/4W +-5%	4
11315310517	CARBON FILM RESISTOR 15K OHM	1/4W +-5%	4
11315340575	METAL OXIDE FILM RESISTOR 15K	OHM 2W +-5%	1
11315410517	CARBON FILM RESISTOR 150K OHM	1/4W +-5%	3
11315420512	CARBON FILM RESISTOR 150K OHM	1/2W +-5%	1
11315840575	METAL OXIDE FILM RESISTOR 0.15	OHM 2W +-5%	1
11315940542	NON-FLAMMABLE FUSE RESISTOR	1.5 OHM 2W +-5%	1
11315990551	WIRE WOUND CEMENT RESISTOR 1.	OHM 10W +-5%	1
11318110517	CARBON FILM RESISTOR 180 OHM	1/4W +-5%	1
11318210517	CARBON FILM RESISTOR 1.8K OHM	1/4W +-5%	13
11318310517	CARBON FILM RESISTOR 18K OHM	1/4W +-5%	5
11318410517	CARBON FILM RESISTOR 180K OHM	1/4W +-5%	3
11320260575	METAL OXIDE FILM RESISTOR 2K	OHM 5W +-5%	1
11322110517	CARBON FILM RESISTOR 220 OHM	1/4W +-5%	5
11322130575	METAL OXIDE FILM RESISTOR 220	OHM 1W +-5%	1
11322210167	METAL FILM RESISTOR 2.2K OHM	1/4W +-1%	1
11322210517	CARBON FILM RESISTOR 2.2K OHM	1/4W +-5%	5
11322310517	CARBON FILM RESISTOR 22K OHM	1/4W +-5%	10
11322410517	CARBON FILM RESISTOR 220K OHM	1/4W +-5%	2
11322910517	CARBON FILM RESISTOR 2.2 OHM	1/4W +-5%	3
11322920512	CARBON FILM RESISTOR 2.2 OHM	1/2W +-5%	1
11322950575	METAL OXIDE FILM RESISTOR 2.2	OHM 3W +-5%	1
11322960555	WIRE WOUND CEMENT FUSING RES.	2.2 OHM 5W +-5% (CUT FORMING)	1
11327010517	CARBON FILM RESISTOR 27 OHM	1/4W +-5%	1
11327040575	METAL OXIDE FILM RESISTOR 27	OHM 2W +-5%	1
11327110517	CARBON FILM RESISTOR 270 OHM	1/4W +-5%	1
11327210517	CARBON FILM RESISTOR 2.7K OHM	1/4W +-5%	1
11327220512	CARBON FILM RESISTOR 2.7K OHM	1/2W +-5%	3
11327220517	CARBON FILM RESISTOR 2.7K OHM	1/2W +-5%	3
11327310517	CARBON FILM RESISTOR 27K OHM	1/4W +-5%	2
11327410517	CARBON FILM RESISTOR 270K OHM	1/4W +-5%	1
11333110517	CARBON FILM RESISTOR 330 OHM	1/4W +-5%	6
11333210217	CARBON FILM RESISTOR 3.3K OHM	1/4W +-2%	4
11333210517	CARBON FILM RESISTOR 3.3K OHM	1/4W +-5%	8
11333310517	CARBON FILM RESISTOR 33K OHM	1/4W +-5%	6
11333410167	METAL FILM RESISTOR 330K OHM	1/4W +-1%	1
11333410517	CARBON FILM RESISTOR 330K OHM	1/4W +-5%	1
11333430575	METAL OXIDE FILM RESISTOR 330K	OHM 1W +-5%	1
11339050575	METAL OXIDE FILM RESISTOR 39	OHM 3W +-5%	1
11339060575	METAL OXIDE FILM RESISTOR 39	OHM 5W +-5%	1

11339110517	CARBON FILM RESISTOR 390 OHM	1/4W +-5%	3
11339210517	CARBON FILM RESISTOR 3.9K OHM	1/4W +-5%	1
11339310517	CARBON FILM RESISTOR 39K OHM	1/4W +-5%	2
11347010517	CARBON FILM RESISTOR 47 OHM	1/4W +-5%	2
11347110517	CARBON FILM RESISTOR 470 OHM	1/4W +-5%	4
11347210517	CARBON FILM RESISTOR 4.7K OHM	1/4W +-5%	9
11347310517	CARBON FILM RESISTOR 47K OHM	1/4W +-5%	4
11347910517	CARBON FILM RESISTOR 4.7 OHM	1/4W +-5%	2
11351110517	CARBON FILM RESISTOR 510 OHM	1/4W +-5%	1
11356110517	CARBON FILM RESISTOR 560 OHM	1/4W +-5%	5
11356210517	CARBON FILM RESISTOR 5.6K OHM	1/4W +-5%	6
11356310517	CARBON FILM RESISTOR 56K OHM	1/4W +-5%	2
11356521092	CARBON COMPOSITION RESISTOR	5.6M OHM 1/2W +-10%	2
11368110517	CARBON FILM RESISTOR 680 OHM	1/4W +-5%	1
11368210217	CARBON FILM RESISTOR 6.8K OHM	1/4W +-2%	1
11368210517	CARBON FILM RESISTOR 6.8K OHM	1/4W +-5%	2
11368310517	CARBON FILM RESISTOR 68K OHM	1/4W +-5%	1
11368830542	FUSING RESISTOR 0.68 OHM 1W	+-5%	3
11368840542	FUSEBLE RESISTOR 0.68 2W +-5%		1
11375010517	CARBON FILM RESISTOR 75 OHM	1/4W +-5%	5
11382010517	CARBON FILM RESISTOR 82 OHM	1/4W +-5%	2
11382110517	CARBON FILM RESISTOR 820 OHM	1/4W +-5%	1
11382210517	CARBON FILM RESISTOR 8.2K OHM	1/4W +-5%	4
11382250577	METAL OXIDE FILM RESISTOR 8.2K	OHM 3W +-5%	3
11382310517	CARBON FILM RESISTOR 82K OHM	1/4W +-5%	2
11382960577	METAL OXIDE FILM RESISTOR 8.2	OHM 5W +-5%	1
11421026200	THERMISTOR PTH451C262B		1
12310034060	CERAMIC CAP. 10PF +-5% 50V	(SL TYPE)	1
12310135060	CERAMIC CAP. 100 PF 50V +-10%	(SL TYPE) "SMART GOOD"	3
12310235090	CERAMIC CAP. 0.001 MFD 50V	+-10% (B TYPE)	10
12310337090	CERAMIC CAP. 0.01 MFD 50V +80	-20%	12
12310337090	CERAMIC CAP. 0.01 MFD 50V +80	-20%	3
12310427090	CERAMIC CAP. 0.1 MFD 25V +80	-20%	8
12310435090	CERAMIC CAP. 0.1 MFD 50V	+-10% (B TYPE)	2
12312135060	CERAMIC CAP. 120 PF 50V +-10%	(SL TYPE)	3
12312255190	CERAMIC CAP. 0.0012 MFD 500V	+-10% (B TYPE) MATSUSHITA	1
12315034093	CERAMIC CAP. 15 PF 50V +-5%	(NPO)	1
12315135060	CERAMIC CAP 150 PF 50V +-10%	(SL TYPE)	1
12315285010	CERAMIC CAP. 0.0015 MFD 2KV	+-10% MATSUSHITA	1
12320934093	CERAMIC CAP. 2PF 50V +-5%	(NPO)	1
12322034060	CERAMIC CAP. 22 PF 50V +-5%	(SL TYPE)	4
12322135060	CERAMIC CAP. 220 PF 50V +-10%	(SL TYPE)	4
12322155190	CERAMIC CAP. 220 PF 500V	+-10% MATSUSHITA	1
12322246650	CERAMIC CAP. 0.0022 MFD 400VAC	+-20% ECKDNA222ME "MATSUSHI"	1
12322285010	CERAMIC CAP. 0.0022 MFD 2KV	+-10% MATSUSHITA	1
12322337090	CERAMIC CAP. 0.022 MFD 50V +80	-20%	12
12324034093	CERAMIC CAP 24PF 50V +-5%(NPO)		1
12327034060	CERAMIC CAP. 27 PF 50V +-5%	(SL-TYPE)	1
12327034093	CERAMIC CAP. 27PF 50V +-5%	(NPO)	2
12327135060	CERAMIC CAP. 270 PF 50V +-10%	(SL TYPE)	2
12333034060	CERAMIC CAP. 33 PF 50V +-5%	(SL TYPE)	1
12333135060	CERAMIC CAP. 330 PF 50V +-10%	(SL TYPE)	3
12339034093	CERAMIC CAP. 39PF 50V +-5%	(NPO)	1
12339135060	CERAMIC CAP. 390PF 50V +-10%	(SL TYPE)	1
12347135060	CERAMIC CAP. 470 PF 50V +-10%	(SL TYPE)	1
12347235090	CERAMIC CAP. 0.0047 MFD 50V	+-10% (B TYPE)	2

12347255090	CERAMIC CAP. 0.0047 MFD 500V	+ -10% (B TYPE)	2
12347255290	CERAMIC CAP. 0.0047 MFD 500V	+ -10% (B TYPE) SMALL SIZE	3
12347265090	CERAMIC CAP. 4700 PF 1 KV		1
12347285010	CERAMIC CAP. 0.0047MFD 2KV	+ -10% MATSUSHITA	1
12356135060	CERAMIC CAP. 560 PF 50V + -10%	(SL TYPE)	2
12368034060	CERAMIC CAP. 68 PF 50V + -5%	(SL TYPE)	1
12368135090	CERAMIC CAP. 680 PF 50V + -10%	(B TYPE)	1
12382185010	CERAMIC CAP. 820 PF 2KV + -10%	(SL TYPE) MATSUSHITA	2
12422406103	TANTALIUM CAP. 0.22 MFD 35V	+ -10%	2
12536112011	POLYSTYRENE CAP. 360PF 125V	+ -5%	1
12539112011	POLYSTYRENE CAP. 390 PF 125V	+ -5%	1
12610207101	MYLAR CAP. 0.001 MFD 50V + -10%		3
12610307101	MYLAR CAP. 0.01 MFD 50V + -10%		3
12610407101	MYLAR CAP. 0.1 MFD 50V + -10%		12
12610407101	MYLAR CAP. 0.1 MFD 50V + -10%		8
12622207101	MYLAR CAP. 0.0022 MFD 50V	+ -10%	2
12622216141	METALIZED POLYPROPLENE CAP.	0.0022 MFD 1600V + -10%	1
12622307101	MYLAR CAP. 0.022 MFD 50V + -10%		5
12622340131	POLYPROPYLENE CAP. 0.022MFD	400V + -10%	2
12622407101	MYLAR CAP 0.22 MFD 50V + -10%		4
12627207031	POLYPROPYLENE CAP. 0.0027 MFD	50V + -5%	1
12633307101	MYLAR CAP. 0.033 MFD 50V + -10%		1
12633407101	MYLAR CAP. 0.33 MFD 50V + -10%		4
12636420131	POLYPROPYLENE CAP. 0.36 MFD	200V + -10%	1
12647207101	MYLAR CAP. 0.0047 MFD 50V	+ -10%	2
12647216041	METALLIZED POLYPROPYLENE CAP.	0.0047 MFD 1600V + -5%	1
12647307101	MYLAR CAP. 0.047 MFD 50V + -10%		2
12647322241	METALIZED POLYPROPYLENE CAP.	0.047 MFD 275V + -20% "OKAYA"	2
12647422241	METALIZED POLYPROPYLENE CAP.	0.47 MFD 275VAC + -20% "OKAYA"	1
12668307101	MYLAR CAP. 0.068 MFD 50V + -10%		1
12710507203	ELECT. CAP. 1 MFD 50V + -20%		4
12710513203	ELECT. CAP. 1 MFD 160V	+ -20%	1
12710604203	ELECT. CAP. 10 MFD 16V + -20%		8
12710604203	ELECT. CAP. 10 MFD 16V + -20%		11
12710607203	ELECT. CAP. 10 MFD 50V + -20%		2
12710610403	ELECT CAP. 10 MFD 100V + -20%	105°C	1
12710704203	ELECT. CAP. 100 MFD 16V + -20%		7
12710706203	ELECT. CAP. 100 MFD 35V + -20%		2
12710713203	ELECT. CAP. 100 MFD 160V + -20%	"NICHICON"	2
12710804203	ELECT. CAP. 1000 MFD 16V + -20%		2
12710805203	ELECT. CAP. 1000 MFD 25V + -20%		4
12722507105	ELECT CAP. 2.2UF 50V + -10%	(TIME CONSTANT)	1
12722507203	ELECT. CAP 2.2 MFD 50V + -20%		11
12722604203	ELECT. CAP. 22 MFD 16V + -20%		2
12722613203	ELECT CAP. 22MFD 160V + -20%		1
12722704203	ELECT. CAP. 220 MFD 16V + -20%		3
12722705203	ELECT. CAP. 220 MFD 25V + -20%		1
12722706203	ELECT. CAP. 220 MFD 35V + -20%		1
12722740203	ELECT CAP. 220 MFD 400V + -20%	(i22MM-26MM)	1
12722805203	ELECT. CAP. 2200 MFD 25V + -20%		1
12733507203	ELECT CAP. 3.3 MFD 50V + -20%		1
12733604203	ELECT. CAP. 33 MFD 16V + -20%		2
12733604223	ELECT. CAP. BIPOLAR 33 MFD 16V	+ -20%	1
12733625203	ELECT CAP. 33 MFD 250V + -20%		1
12733806203	ELECT CAP. 3300 MFD 35V + -20%		1
12747507203	ELECT CAP 4.7 MED 50V		7

12747510223	ELECT CAP.BIPOLAR 4.7MFD 100V	+20%	1
12747604203	ELECT. CAP. 47 MFD 16V	+20%	4
12747607207	ELECT.CAP. 47 MFD 50V	+20%	NICHICON
12747609407	ELECT CAP. 47 MFD 63V	+20%	105°C "NICHICON"
12747704203	ELECT. CAP. 470 MFD 16V	+20%	7
12747805203	ELECT. CAP. 4700MFD 25V	+20%	1
13013414801	SILICON DIODE IN4148		11
13013414801	SILICON DIODE IN4148		7
13024080950	VERIABLE CAPACITANCE DIODE	BB809	2
13031034100	RECTIFIER DIODE 3TH41 TOSHIBA		1
13031034500	RECTIFIER DIODE 3JH45 TOSHIBA		2
13031040600	BRIDGE RECTIFIER RBV-406	SANKEN	1
13031154560	RECTIFIER DIODE 1R5JH45		2
13031400101	RECTIFIER DIODE 1N4001		1
13031529500	RECTIFIER DIODE S5295G TOSHIBA		7
13041005101	ZENER DIODE 5.1V 1/2W	+5%	1
13041005601	ZENER DIODE 5.6V		1
13041008201	ZENER DIODE 8.2V		1
13041010001	ZENER DIODE 10V 1/2W		1
13041012002	ZENER DIODE 12V HZ12A2		1
13041057400	ZENER DIODE UPC 574J NEC		1
13041109101	ZENER DIODE 9.1V		1
13042212000	ZENER DIODE 1W 12V		1
13051204400	LED 3MM RED 204HDC		1
13121056418	TRANSISTOR 2SA564AQ		1
13121101500	TRANSISTOR 2SA1015 TOSHIBA		3
13122077420	TRANSISTOR 2SB774/Q/R/S	MATSUSHITA	1
13123180900	TRANSISTOR 2SC1809 ROHM		1
13123181525	TRANSISTOR 2SC1815 TOSHIBA		12
13123181525	TRANSISTOR 2SC1815 TOSHIBA		12
13123223000	NPN-TR 2SC2230A-Y (TOSHI) TO92	VCE=180V IC=.1A HFE=120-240	1
13123248200	TRANSISTOR 2SC2482 TOSHIBA		1
13123361900	TRANSISTOR 2SC3619		3
13123470600	TRANSISTOR 2SC4706 SHIN HO		1
13124140625	TRANSISTOR 2SD1406-Y TOSHIBA		1
13124140627	TRANSISTOR 2SD1406-GR TOSHIBA		1
13124154700	TRANSISTOR 2SD1547 TOSHIBA		1
13146236900	TRANSISTOR PH2369 PHILIPS		1
13310035233	I.C. CTV350S.GW2 PHILIPS		1
13310242131	I.C. ST24C02AB1 SGS		1
13310350433	I.C. TDA3504 PHILIPS		1
13310385733	IC TDA3857 PHILIPS		1
13310456533	I.C. TDA4565 PHILIPS		1
13310465033	I.C. TDA 4650 PHILIPS		1
13310466533	I.C. TDA4665 (PHILIPS IC)		1
13310830533	IC TDA8305A PHILIPS		1
13310841633	I.C. TDA8416 PHILIPS		1
13310862814	IC TA8628N TOSHIBA		1
13320365433	I.C. TDA3654 (PHILIPS)		1
13320444516	I.C. LA4445 SANYO		1
13320780531	I.C. L7805CV SGS		1
13320781231	IC L7812CV SGS-THOMSON		1
13330424133	I.C. PC74HCT241P PHILIPS		1
13330511431	I.C. TEA5114A SGS		1
13650000200	REMOTE RECEIVER (HC-SZ02)		1
13710000031	CRYSTAL 10 MHZ HOORAY		2

13771590920	CRYSTAL 7.15909 MHz		1
13788672320	CRYSTAL 8.86 MHz KDS		1
14610000213	TACT SWITCH KSM0634A HDK		8
14610000614	POWER SWITCH PS5E-B	"CHINA LANDMARK"	1
14610401613	TACT SWITCH 31TM116A UNITRONIC		4
16010100108	PIN CONNECTOR 1 PIN PLUG	STRAIGHT	3
16010225527	PIN CONNECTOR 2 PINS PLUG	STRAIGHT (UL) (S.H.S)	2
16010280508	PIN CONNECTOR 2 PIN PLUG	STRAIGHT	1
16010325527	PIN CONNECTOR 3 PINS PLUG		9
16010380508	PIN CONNECTOR 3 PIN PLUG	STRAIGHT	2
16010425527	PIN CONNECTOR 4 PINS PLUG	(SHS)	2
16010480508	PIN CONNECTOR 4 PIN PLUG	STRAIGHT	1
16010525527	PIN CONNECTOR 5 PINS WAFER	2.5 PITCH	1
16010625527	PIN CONNECTOR 6 PINS WAFER	(SHS) S11-W	1
16154010501	CRT SOCKET HPS0199-01-020	(HOSIDEN) 29MM THICK	1
16168370222	21 PIN SOCKET		1
17212003240	UL 1007 STANDARD WIRE AWG 20	320 MM BLACK 10 X 10 MM	2
17262000540	UL 1007 TOP COAT WIRE AWG 20	50MM BLACK 5 X 5MM	1
17262001040	UL 1007 TOP COAT WIRE AWG 20	100MM BLACK 10 X 10 MM	1
17262001443	UL 1007 TOP COAT WIRE AWG 20	140MM ORANGE 10 X 10MM	1
17262600840	UL 1007 TOP COAT WIRE AWG 26	80MM BLACK 10 X 10 MM	2
17262600840	UL 1007 TOP COAT WIRE AWG 26	80MM BLACK 10 X 10 MM	2
17262601442	UL 1007 TOP COAT WIRE AWG 26	140MM RED 10 X 10 MM	1
17262601442	UL 1007 TOP COAT WIRE AWG 26	140MM RED 10 X 10 MM	1
17262601443	UL 1007 TOP COAT WIRE AWG 26	140MM ORANGE 10 X 10 MM	3
17262601643	UL 1007 TOP COAT WIRE AWG 26	160MM ORANGE 10 X 10 MM	2
17262601843	UL 1007 TOP COAT WIRE AWG 26	180MM ORANGE 10 X 10 MM	2
17262602043	TOP COAT WIRE 200MM AWG 26	ORANGE 10 X 10MM	1
17262602441	UL 1007 TOP COAT WIRE AWG 26	240MM BROWN 10 X 10 MM	3
17272600099	BARE WIRE 54MM		8.6
17272600099	BARE WIRE 54MM		0
17272600099	BARE WIRE 54MM		0
17272600099	BARE WIRE 54MM		0
17283012099	FLAT BRIDED WIRE		2.6
17483302650	DOUBLE SHIELD WIRE UL 2547 AWG	28 260MM BLACK	1
17765505302	2 PIN FLAT CABLE WIRE AWG 26	50MM	1
17900101000	OIL SLEEVING 1 mm DIA.		0.1
17900101000	OIL SLEEVING 1 mm DIA.		0
17900101000	OIL SLEEVING 1 mm DIA.		0
17910500000	UL PVC TUBE 5mm DIA		0.3
17910500000	UL PVC TUBE 5mm DIA		1.3
17911050000	UL PVC TUBE 11MM DIA.		0.1
17940303000	3MM DIA. SHRINKABLE TUBE		0.2
17940503000	5 mm DIA SHRINKABLE TUBE		0
18222400003	FUSE T4A 250V		1
18435080508	AXIAL LEAD BEAD INDUCTORS	"COILS"	2
19088200AXE	POWER SWITCH P.C.B. (131196)		1
19088280300	CRT P.C.B. (280593)		1
19088280DXH	POWER BOARD (160996)		1
19088281401	MAIN P.C.BOARD (090197)		1
19094200309	NICAM/STEREO P.C.B. (061196)		1
19110100007	1 PIN DOUBLE INSULATION WIRE	L=560MM	1
19110100107	1 PIN DOUBLE INSULATION WIRE	L=600MM	1
19110100707	1 PIN SOCKET ASS'Y L=350MM		1
19120003109	2 PIN SOCKET ASS'Y L=80MM		1
19120100407	2 PINS SOCKET ASS'Y L=500MM		1

19120100607	2 PINS SOCKET ASS'Y L=700MM		1
19130100307	3 PINS SOCKET ASS'Y L=450MM		1
19130100307	3 PINS SOCKET ASS'Y L=450MM		0
19130100307	3 PINS SOCKET ASS'Y L=450MM		0
19130100607	3 PIN SOCKET ASS'Y L=200MM		1
19130120507	3 PINS SOCKET ASS'Y L=100MM		1
19130120707	3 PIN SOCKET ASS'Y L=200MM		1
19140120107	4 PINS SOCKET ASS'Y L=60MM		1
19150004809	5 PIN SOCKET ASSM'Y L=480MM		1
19150004809	5 PIN SOCKET ASSM'Y L=480MM		0
50430500610	MACHINE SCREW 3 X 6 B/M	(WHITE)	6
50930501000	MACHINE SCREW 3 X 10 KM	(BLACK)	2
51440041210	SELF-TAPPING SCREW 4 X 12 B/T	(HARDEN)	1
51440042510	SELF-TAPPING SCREW 4 X 25 B/T	(HARDEN)	11
51530331010	SELF-TAPPING SCREW 3 X 10	W/P/A (HARDEN)	1
51530340810	SELF-TAPPING SCREW 3 X 8	W/B/T (HARDEN)	4
51530340810	SELF-TAPPING SCREW 3 X 8	W/B/T (HARDEN)	14
51530340810	SELF-TAPPING SCREW 3 X 8	W/B/T (HARDEN)	0
51530341010	SELF-TAPPING SCREW 3 X 10	W/B/T (HARDEN)	17
51530341010	SELF-TAPPING SCREW 3 X 10	W/B/T (HARDEN)	0
51530641210	SELF-TAPPING SCREW 3 X 12	W/B/T (HARDEN)	1
51730331210	SELF-TAPPING SCREW 3 X 12 W/A	W/H=7MM (HARDEN)	5
52493290101	CRT MOUNTING SCREW 7 X 40 VP	(HARDEN)	4
54002003001	EYELET 2 X 3 MM		8
58010126101	CABLE TIE L=100MM		26
58010126101	CABLE TIE L=100MM		3
58010126101	CABLE TIE L=100MM		2
62288280200	FELT L240 X W17 X T0.5MM	W/TAPE	7
63011452000	FIBRE WASHER		1
63011551200	FIBRE WASHER 11 X 5.5 X 1.2 mm		4
63023801000	FIBRE WASHER OD=23 , ID=8	T=1MM	4
74488130100	SPRING FOR C.R.T. MOUNTING 5.2	X 42 X 0.6MM	2
74606310100	TEST PIN:TOTAL LENGTH 18.6mm	THK:0.8mm	2
75006310100	SOLDERING LUG LEG:8X4MM		3
75006310201	35MM SOLDERING LUG	OD:7 ID:3.2 LEG:4X35MM	10
76668680100	FUSE HOLDER		2
77794210100	SPRING IN 8.4 X L18		1
77988280100	IRON HEAT SINK		1
77993250100	IRON HEAT SINK		1
78188280102	ALUMINIUM HEAT SINK (A)(2MM	THK.)	1
78188280500	ALUMINIUM HEAT SINK		1
78188280700	ALUMINIUM HEAT SINK		1
78188280800	HEAT SINK (FOR M.V. P.C.B.)		1
78193280100	ALUMINIUM HEAT SINK (POWER)		1
78193280200	ALUMINIUM HEAT SINK		1
78193290201	ALUMINIUM HEAT SINK (B)		1
78388130601	SHIELD CAN COVER		1
78388131301	SHIELD CAN		1
81005220414	POLYBAG 5" X 22" X 0.04MM	PO MAT W/RE-CYCLING MARK	1
81009150413	POLYBAG 9" X 15" X 0.04MM W/	RE-CYCLING MARK	1
81045530414	POLYBAG 45"X53"X0.04MM W/PUNCH	HOLE/RE-CYCLING MARK (P/O MA	1
83423080100	RUBBER WASHER OD=23 , ID=8 ,	T=1.0	2
84001102421	PAD CORD L240 X W10 X T1 MM	W/TAPE	8
84005103011	RUBBER PAD (ONE SIDE W/TAPE)		6
89688210100	POWER BOARD COVER (UL)		1
920882803U1	MTG. BRACKET HIPS UL 94VO		1

92988210300	LED HOLDER BKT	1
93888200100	SECAM BOARD HOLDER	4
93994210100	POWER KNOB ADAPTOR	1
94888200300	DOOR LOCKER	1
95488210000	AC LINE CORD CLIP	1
95488280100	STUD POST	2
95488280300	HIGH VOLTAGE CABLE SPACER	2
97788280101	PUSH BUTTON - BLACK MOULDED	1

Part Number	Description	
10780045546	455K HZ RESONATOR "WEI HAW"	
11310100517	CARBON FILM RESISTOR 100 OHM	1/16W +-5%
11310200517	CARBON FILM RESISTOR 1K OHM	1/16W +-5%
11310300517	CARBON FILM RESISTOR 10K OHM	1/16W +-5%
11310900517	CARBON FILM RESISTOR 1 OHM	1/16W +-5%
11347300517	CARBON FILM RESISTOR 47K OHM	1/16W +-5%
11368200517	CARBON FILM RESISTOR 6.8K OHM	1/16W +-5%
12747604203	ELECT. CAP. 47 MFD 16V +-20%	
13060010100	INFRARED EMITTER EL-1L1	KODENSHI
13121071929	TRANSISTOR 2SA719R/S	MATSUSHITA
13123094500	TRANSISTOR 2SC945 NEC	
13380301033	I.C. SAA3010T PHILIPS	
17272600099	BARE WIRE 54MM	
190R6330002	REMOTE P.C.B. (140896)	
51626040810	SELF-TAPPING SCREW 2.6 X 8 P/T	(HARDEN)
774R6330100	BATTERY SPRING (+VE)	
774R6330200	BATTERY SPRING (-VE)	
774R6330300	BATTERY SPRING (+-VE)	
81004110413	POLYBAG 4" X 11" X 0.04MM	W/RE-CYCLING MARK
849R6330100	KEY PAD {FULL 40 KEYS}	
892R6330102	DIAL KEY PLATE - ENG STD W/RED	/YELLOW/GREEN/BLUE/SILVER SS.
900R6330103	HANDSET TOP CABINET -MATT BLK.	SPRAYED W/SILVER 8001C S.S.
902R6330103	HANDSET BOTTOM CABINET - MATT	BLACK SPRAYED
910R6330117	HANDSET BATTERY DOOR - TEAC	DESIGN (RC-651)(CT-M661SR) BLK
973R6330100	VOLUME/CHANNEL KNOB - MOULDED	BLACK
00212802540	28" CRT A66ECY13X25 S/H	VIDEO COLOR
00313142402	TUNER OSCAR UVE33-W24/R16-3649	MITSUMI (HIGH JACK)
00890029104	DEGAUSSING COIL 90T (W/FIVE LA	YERS OF TAPE) FOR 29"
10773150000	SAW FILTER TSB-5308U (SANYO)	
10773891600	SAW FILTER TSF-5316 SANYO	
11315310517	CARBON FILM RESISTOR 15K OHM	1/4W +-5%
11322310167	METAL FILM RESISTOR 22K OHM	1/4W +-1%
1662812244E	SPEAKER 2-1/4" X 6-1/4" 8 OHM	12W
17155008402	84" AC LINE CORD (END-CUT)SAA	APPW/7.5A PLUG.
18622750314	BATTERY 3A	
19130101907	3 PIN SOCKET ASS'Y L=30MM (PIN	2,3 W/RESISTOR 1K OHM 1/4W)
19140100507	4 PIN SOCKET ASS'Y L=450MM	
610628A0203	GIFT BOX - TEAC DESIGN (W/NTSC	PLAYBACK) K3A3A3K (CT-M661SR)
61888280100	PACKING PAD (FOR POLYFOAM)	
66323058296	SERIAL NO.LABEL - OC:GT-582/96	
6698828015R	RATING PLATE - TEAC DESIGN	(CT-M661SR) 240V
670628A0007	I/MANUAL - TEAC DESIGN	(CT-M661SR) 40PROG.
67892210302	TELETEXT COMPLEMENT - TEAC	DESIGN
67892210903	EASY TUNE CARD (A) - TEAC (A)	DESIGN
67893131502	TOTAL CARE LABEL - TEAC DESIGN	(BLK & WHITE)
67893280020	SCREEN STICKER - TEAC DESIGN	(CT-M661SR)
67894210159	POLYBAG WARNING LABEL - TEAC	DESIGN
69092213901	WARRANTY CARD- TEAC (A) DESIGN	
69393280003	EAN CODE LABEL - 9313060007591	
703628A0101	SPEAKER GRILLE (RIGHT) - MATT	BLACK DOUBLE SIDE W/SPRAY
703628A0201	SPEAKER GRILLE (LEFT) - MATT	BLACK DOUBLE SIDE W/SPRAY
800628A0100	POLYFOAM - TOP LEFT	
800628A0200	POLYFOAM - TOP RIGHT	
800628A0300	POLYFOAM - BOTTOM LEFT	



Part Number	Description	
800628A0400	POLYFOAM - BOTTOM RIGHT	
82643200500	FOAM SHEET - 43" X 20" X 0.5MM	THK
82647350500	FOAM SHEET - 47" X 35" X 0.5MM	THK
884628A0301	P/PLATE - BLK W/L.GREY SS ENG	STD (14 HOLES)W/NTSC,AUTO TUNE
88488202002	JACK COVER-TEAC DESIGN WHI SS.	W/21 PIN SOCKET HOLE
900628A0104	FRONT CABINET - GREY (426U)	
902882802U2	BACK CABINET -MATT BLACK SPRAY	
917628A0103	REMOTE LENS - TEAC DESIGN	(GOLD S.S.)
919628A0105	P/DOOR-TEAC A DESIGN (CABLE RE	ARY WORDING(CT-M661SR)GOLD SS.
980882014U1	JACK PLATE W/SCART/BRASS INSER	T (521-882001-00 2 PCS./SET)
9868828010U	NAME PLATE - TEAC (A) DESIGN	(BIG SIZE)
991628A0100	POWER KNOB - BLACK MOULDED	
00122990105	FLYBACK TRANSFORMER F27901-02	GOLDSTAR
01210234006	SEMI-FIXED RESISTOR EVND8AA	03B13 1KB
01210434006	SEMI-FIXED RESISTOR EVND8AA	03B15 100KB
01220233006	SEMI-FIXED RESISTOR EVND2AA	03B23 2KB
01220334006	SEMI-FIXED RESISTOR EVND8AA	03B24 20KB
01250234006	SEMI-FIXED RESISTOR EVND8AA	03B53 5KB
01250334006	SEMI-FIXED RESISTOR EVND8AA	03B54 50KB
10119100996	HORIZONTAL DRIVE TRANSFORMER	(R1009)
10128827095	LINE FILTER LB28T270	
10149026094	SWITCH POWER TRANSFORMER 28"	KB49C260 "HIGHLIGHT"
10237060002	TANK COIL / AFC COIL COILS	707851
10267130002	SOUND IF COIL. COILS 710256	
10267160002	SOUND IF COIL KHC-823087	"COILS"
10277031002	CHROMA FILTER KH-814657	"COILS"
10287050002	DOSC COIL. COILS 707534	
10510010308	FIXED INDUCTOR COIL 10 UH	+ -10% AXIAL
10515010102	FIXED INDUCTIVE COIL 15UH 10%	
10520110602	CHOKE COIL 200UH 10% CH9012-	201K (ELEC PRODUCT)
10525010235	LINEARITY COIL 25UH LX142242A	HIGHLIGHT
10556010102	FIXED INDUCTOR COIL 56uH +-10%	CW-560K-455-705111
10568910308	FIXED INDUCTOR COIL 6.8 UH	+ -10% AXIAL
10582115606	CHOKE COIL 820UH 0.37 OHM	HIGHLIGHT
10582810302	FIXED INDUCTIVE COIL 0.82UH	10% AXIAL TYPE
10582910308	FIXED CONDUCTOR COIL 8.2 UH	+ -10% AXIAL
10621001201	RELAY 12V OMIT-SS-112LM	ORIGINAL
10710443066	CHROMA TRAP CERAMIC FILTER	4.43 MHZ WEI HAW
10710550066	SOUND TRAP CERAMIC FILTER	5.5MHZ WEI HAW
10730550016	SOUND BYPASS CERAMIC FILTER	5.5MHZ WEI HAW
10730574016	SOUND BYPASS CERAMIC FILTER	5.74MHZ SFE-5.74MC MURATA
11110320123	VERIABLE RESISTOR 10K (EVU-E2A	20B14 MATSUSHITA)
1111042812A	VERIABLE RES. W/CENTRE CHICK	100K (VA09CVI U 20TMB100K HDK)
11310010517	CARBON FILM RESISTOR 10 OHM	1/4W +-5%
11310020512	CARBON FILM RESISTOR 10 OHM	1/2W +-5%
11310050575	METAL OXIDE FILM RESISTOR 10	OHM 3W +-5%
11310110517	CARBON FILM RESISTOR 100 OHM	1/4W +-5%
11310110517	CARBON FILM RESISTOR 100 OHM	1/4W +-5%
11310130575	METAL OXIDE FILM RESISTOR 100	OHM 1W +-5%
11310210517	CARBON FILM RESISTOR 1K OHM	1/4W +-5%
11310210517	CARBON FILM RESISTOR 1K OHM	1/4W +-5%
11310210517	CARBON FILM RESISTOR 1K OHM	1/4W +-5%
11310230575	METAL OXIDE FILM RESISTOR 1K	OHM 1W +-5%
11310310167	METAL FILM RESISTOR 10K OHM	1/4W +-1%

Part Number	Description	
11310310517	CARBON FILM RESISTOR 10K OHM	1/4W +-5%
11310310517	CARBON FILM RESISTOR 10K OHM	1/4W +-5%
11310310517	CARBON FILM RESISTOR 10K OHM	1/4W +-5%
11310410517	CARBON FILM RESISTOR 100K OHM	1/4W +-5%
11310430575	METAL OXIDE FILM RESISTOR 100K	OHM 1W +-5%
11310510167	METAL FILM RESISTOR 1M OHM	1/4W +-1%
11310930575	METAL OXIDE FILM RESISTOR 1	OHM 1W +-5%
11312030575	METAL OXIDE FILM RESISTOR 12	OHM 1W +-5%
11312040575	METAL OXIDE FILM RESISTOR 12	OHM 2W +-5%
11312110517	CARBON FILM RESISTOR 120 OHM	1/4W +-5%
11312210517	CARBON FILM RESISTOR 1.2K OHM	1/4W +-5%
11312220512	CARBON FILM RESISTOR 1K2 OHM	1/2W +-5%
11312310517	CARBON FILM RESISTOR 12K OHM	1/4W +-5%
11315010517	CARBON FILM RESISTOR 15 OHM	1/4W +-5%
11315120512	CARBON FILM RESISTOR 150 OHM	1/2W +-5%
11315210517	CARBON FILM RESISTOR 1.5K OHM	1/4W +-5%
11315310517	CARBON FILM RESISTOR 15K OHM	1/4W +-5%
11315340575	METAL OXIDE FILM RESISTOR 15K	OHM 2W +-5%
11315410517	CARBON FILM RESISTOR 150K OHM	1/4W +-5%
11315420512	CARBON FILM RESISTOR 150K OHM	1/2W +-5%
11315840575	METAL OXIDE FILM RESISTOR 0.15	OHM 2W +-5%
11315940542	NON-FLAMMABLE FUSE RESISTOR	1.5 OHM 2W +-5%
11315990551	WIRE WOUND CEMENT RESISTOR 1.5	OHM 10W +-5%
11318110517	CARBON FILM RESISTOR 180 OHM	1/4W +-5%
11318210517	CARBON FILM RESISTOR 1.8K OHM	1/4W +-5%
11318310517	CARBON FILM RESISTOR 18K OHM	1/4W +-5%
11318410517	CARBON FILM RESISTOR 180K OHM	1/4W +-5%
11320260575	METAL OXIDE FILM RESISTOR 2K	OHM 5W +-5%
11322110517	CARBON FILM RESISTOR 220 OHM	1/4W +-5%
11322130575	METAL OXIDE FILM RESISTOR 220	OHM 1W +-5%
11322210167	METAL FILM RESISTOR 2.2K OHM	1/4W +-1%
11322210517	CARBON FILM RESISTOR 2.2K OHM	1/4W +-5%
11322310517	CARBON FILM RESISTOR 22K OHM	1/4W +-5%
11322410517	CARBON FILM RESISTOR 220K OHM	1/4W +-5%
11322910517	CARBON FILM RESISTOR 2.2 OHM	1/4W +-5%
11322920512	CARBON FILM RESISTOR 2.2 OHM	1/2W +-5%
11322950575	METAL OXIDE FILM RESISTOR 2.2	OHM 3W +-5%
11322960555	WIRE WOUND CEMENT FUSING RES.	2.2 OHM 5W +-5% (CUT FORMING)
11327010517	CARBON FILM RESISTOR 27 OHM	1/4W +-5%
11327040575	METAL OXIDE FILM RESISTOR 27	OHM 2W +-5%
11327110517	CARBON FILM RESISTOR 270 OHM	1/4W +-5%
11327210517	CARBON FILM RESISTOR 2.7K OHM	1/4W +-5%
11327220512	CARBON FILM RESISTOR 2.7K OHM	1/2W +-5%
11327220517	CARBON FILM RESISTOR 2.7K OHM	1/2W +-5%
11327310517	CARBON FILM RESISTOR 27K OHM	1/4W +-5%
11327410517	CARBON FILM RESISTOR 270K OHM	1/4W +-5%
11333110517	CARBON FILM RESISTOR 330 OHM	1/4W +-5%
11333210217	CARBON FILM RESISTOR 3.3K OHM	1/4W +-2%
11333210517	CARBON FILM RESISTOR 3.3K OHM	1/4W +-5%
11333310517	CARBON FILM RESISTOR 33K OHM	1/4W +-5%
11333410167	METAL FILM RESISTOR 330K OHM	1/4W +-1%
11333410517	CARBON FILM RESISTOR 330K OHM	1/4W +-5%
11333430575	METAL OXIDE FILM RESISTOR 330K	OHM 1W +-5%
11339050575	METAL OXIDE FILM RESISTOR 39	OHM 3W +-5%

Part Number	Description	
11339060575	METAL OXIDE FILM RESISTOR 39	OHM 5W +-5%
11339110517	CARBON FILM RESISTOR 390 OHM	1/4W +-5%
11339210517	CARBON FILM RESISTOR 3.9K OHM	1/4W +-5%
11339310517	CARBON FILM RESISTOR 39K OHM	1/4W +-5%
11347010517	CARBON FILM RESISTOR 47 OHM	1/4W +-5%
11347110517	CARBON FILM RESISTOR 470 OHM	1/4W +-5%
11347210517	CARBON FILM RESISTOR 4.7K OHM	1/4W +-5%
11347310517	CARBON FILM RESISTOR 47K OHM	1/4W +-5%
11347910517	CARBON FILM RESISTOR 4.7 OHM	1/4W +-5%
11351110517	CARBON FILM RESISTOR 510 OHM	1/4W +-5%
11356110517	CARBON FILM RESISTOR 560 OHM	1/4W +-5%
11356210517	CARBON FILM RESISTOR 5.6K OHM	1/4W +-5%
11356310517	CARBON FILM RESISTOR 56K OHM	1/4W +-5%
11356521092	CARBON COMPOSITION RESISTOR	5.6M OHM 1/2W +-10%
11368110517	CARBON FILM RESISTOR 680 OHM	1/4W +-5%
11368210217	CARBON FILM RESISTOR 6.8K OHM	1/4W +-2%
11368210517	CARBON FILM RESISTOR 6.8K OHM	1/4W +-5%
11368310517	CARBON FILM RESISTOR 68K OHM	1/4W +-5%
11368830542	FUSING RESISTOR 0.68 OHM 1W	+5%
11368840542	FUSEBLE RESISTOR 0.68 2W +-5%	
11375010517	CARBON FILM RESISTOR 75 OHM	1/4W +-5%
11382010517	CARBON FILM RESISTOR 82 OHM	1/4W +-5%
11382110517	CARBON FILM RESISTOR 820 OHM	1/4W +-5%
11382210517	CARBON FILM RESISTOR 8.2K OHM	1/4W +-5%
11382250577	METAL OXIDE FILM RESISTOR 8.2K	OHM 3W +-5%
11382310517	CARBON FILM RESISTOR 82K OHM	1/4W +-5%
11382960577	METAL OXIDE FILM RESISTOR 8.2	OHM 5W +-5%
11421026200	THERMISTOR PTH451C262B	
12310034060	CERAMIC CAP. 10PF +-5% 50V	(SL TYPE)
12310135060	CERAMIC CAP. 100 PF 50V +-10%	(SL TYPE) "SMART GOOD"
12310235090	CERAMIC CAP. 0.001 MFD 50V	+10% (B TYPE)
12310337090	CERAMIC CAP. 0.01 MFD 50V +80	-20%
12310337090	CERAMIC CAP. 0.01 MFD 50V +80	-20%
12310427090	CERAMIC CAP. 0.1 MFD 25V +80	-20%
12310435090	CERAMIC CAP. 0.1 MFD 50V	+10% (B TYPE)
12312135060	CERAMIC CAP. 120 PF 50V +-10%	(SL TYPE)
12312255190	CERAMIC CAP. 0.0012 MFD 500V	+10% (B TYPE) MATSUSHITA
12315034093	CERAMIC CAP. 15 PF 50V +-5%	(NPO)
12315135060	CERAMIC CAP 150 PF 50V +-10%	(SL TYPE)
12315285010	CERAMIC CAP. 0.0015 MFD 2KV	+10% MATSUSHITA
12320934093	CERAMIC CAP. 2PF 50V +-5%	(NPO)
12322034060	CERAMIC CAP. 22 PF 50V +-5%	(SL TYPE)
12322135060	CERAMIC CAP. 220 PF 50V +-10%	(SL TYPE)
12322155190	CERAMIC CAP. 220 PF 500V	+10% MATSUSHITA
12322246650	CERAMIC CAP. 0.0022 MFD 400VAC	+20% ECKDNA222ME "MATSUSHITA"
12322285010	CERAMIC CAP. 0.0022 MFD 2KV	+10% MATSUSHITA
12322337090	CERAMIC CAP. 0.022 MFD 50V +80	-20%
12324034093	CERAMIC CAP 24PF 50V +-5%(NPO)	
12327034060	CERAMIC CAP. 27 PF 50V +-5%	(SL-TYPE)
12327034093	CERAMIC CAP. 27PF 50V +-5%	(NPO)
12327135060	CERAMIC CAP. 270 PF 50V +-10%	(SL TYPE)
12333034060	CERAMIC CAP. 33 PF 50V +-5%	(SL TYPE)
12333135060	CERAMIC CAP. 330 PF 50V +-10%	(SL TYPE)
12339034093	CERAMIC CAP. 39PF 50V +-5%	(NPO)

Part Number	Description	
12339135060	CERAMIC CAP. 390PF 50V +-10%	(SL TYPE)
12347135060	CERAMIC CAP. 470 PF 50V +-10%	(SL TYPE)
12347235090	CERAMIC CAP. 0.0047 MFD 50V	+ -10% (B TYPE)
12347255090	CERAMIC CAP. 0.0047 MFD 500V	+ -10% (B TYPE)
12347255290	CERAMIC CAP. 0.0047 MFD 500V	+ -10% (B TYPE) SMALL SIZE
12347265090	CERAMIC CAP. 4700 PF 1 KV	
12347285010	CERAMIC CAP. 0.0047MFD 2KV	+ -10% MATSUSHITA
12356135060	CERAMIC CAP. 560 PF 50V +-10%	(SL TYPE)
12368034060	CERAMIC CAP. 68 PF 50V +-5%	(SL TYPE)
12368135090	CERAMIC CAP. 680 PF 50V +-10%	(B TYPE)
12382185010	CERAMIC CAP. 820 PF 2KV +-10%	(SL TYPE) MATSUSHITA
12422406103	TANTALIUM CAP. 0.22 MFD 35V	+ -10%
12536112011	POLYSTYRENE CAP. 360PF 125V	+ -5%
12539112011	POLYSTYRENE CAP. 390 PF 125V	+ -5%
12610207101	MYLAR CAP. 0.001 MFD 50V +-10%	
12610307101	MYLAR CAP. 0.01 MFD 50V +-10%	
12610407101	MYLAR CAP. 0.1 MFD 50V +-10%	
12610407101	MYLAR CAP. 0.1 MFD 50V +-10%	
12622207101	MYLAR CAP. 0.0022 MFD 50V	+ -10%
12622216141	METALIZED POLYROPLENE CAP.	0.0022 MFD 1600V +-10%
12622307101	MYLAR CAP. 0.022 MFD 50V +-10%	
12622340131	POLYPROPYLENE CAP. 0.022MFD	400V +-10%
12622407101	MYLAR CAP 0.22 MFD 50V +-10%	
12627207031	POLYPROPYLENE CAP. 0.0027 MFD	50V +-5%
12633307101	MYLAR CAP. 0.033 MFD 50V +-10%	
12633407101	MYLAR CAP. 0.33 MFD 50V +-10%	
12636420131	POLYPROPYLENE CAP. 0.36 MFD	200V +-10%
12647207101	MYLAR CAP. 0.0047 MFD 50V	+ -10%
12647216041	METALLIZED POLYPROPYLENE CAP.	0.0047 MFD 1600V +-5%
12647307101	MYLAR CAP. 0.047 MFD 50V +-10%	
12647322241	METALIZED POLYPROPYLENE CAP.	0.047 MFD 275V +-20% "OKAYA"
12647422241	METALIZED POLYPROPYLENE CAP.	0.47 MFD 275VAC +-20% "OKAYA"
12668307101	MYLAR CAP. 0.068 MFD 50V +-10%	
12710507203	ELECT. CAP. 1 MFD 50V +-20%	
12710513203	ELECT. CAP. 1 MFD 160V	+ -20%
12710604203	ELECT. CAP. 10 MFD 16V +-20%	
12710604203	ELECT. CAP. 10 MFD 16V +-20%	
12710607203	ELECT. CAP. 10 MFD 50V +-20%	
12710610403	ELECT CAP. 10 MFD 100V +-20%	105°C
12710704203	ELECT. CAP. 100 MFD 16V +-20%	
12710706203	ELECT. CAP. 100 MFD 35V +-20%	
12710713203	ELECT. CAP. 100 MFD 160V +-20%	"NICHICON"
12710804203	ELECT. CAP. 1000 MFD 16V +-20%	
12710805203	ELECT. CAP. 1000 MFD 25V +-20%	
12722507105	ELECT CAP. 2.2UF 50V +-10%	(TIME CONSTANT)
12722507203	ELECT. CAP 2.2 MFD 50V +-20%	
12722604203	ELECT. CAP. 22 MFD 16V +-20%	
12722613203	ELECT CAP. 22MFD 160V +-20%	
12722704203	ELECT. CAP. 220 MFD 16V +-20%	
12722705203	ELECT. CAP. 220 MFD 25V +-20%	
12722706203	ELECT. CAP. 220 MFD 35V +-20%	
12722740203	ELECT CAP. 220 MFD 400V +-20%	(i22MM-26MM)
12722805203	ELECT. CAP. 2200 MFD 25V +-20%	
12733507203	ELECT CAP. 3.3 MFD 50V +-20%	

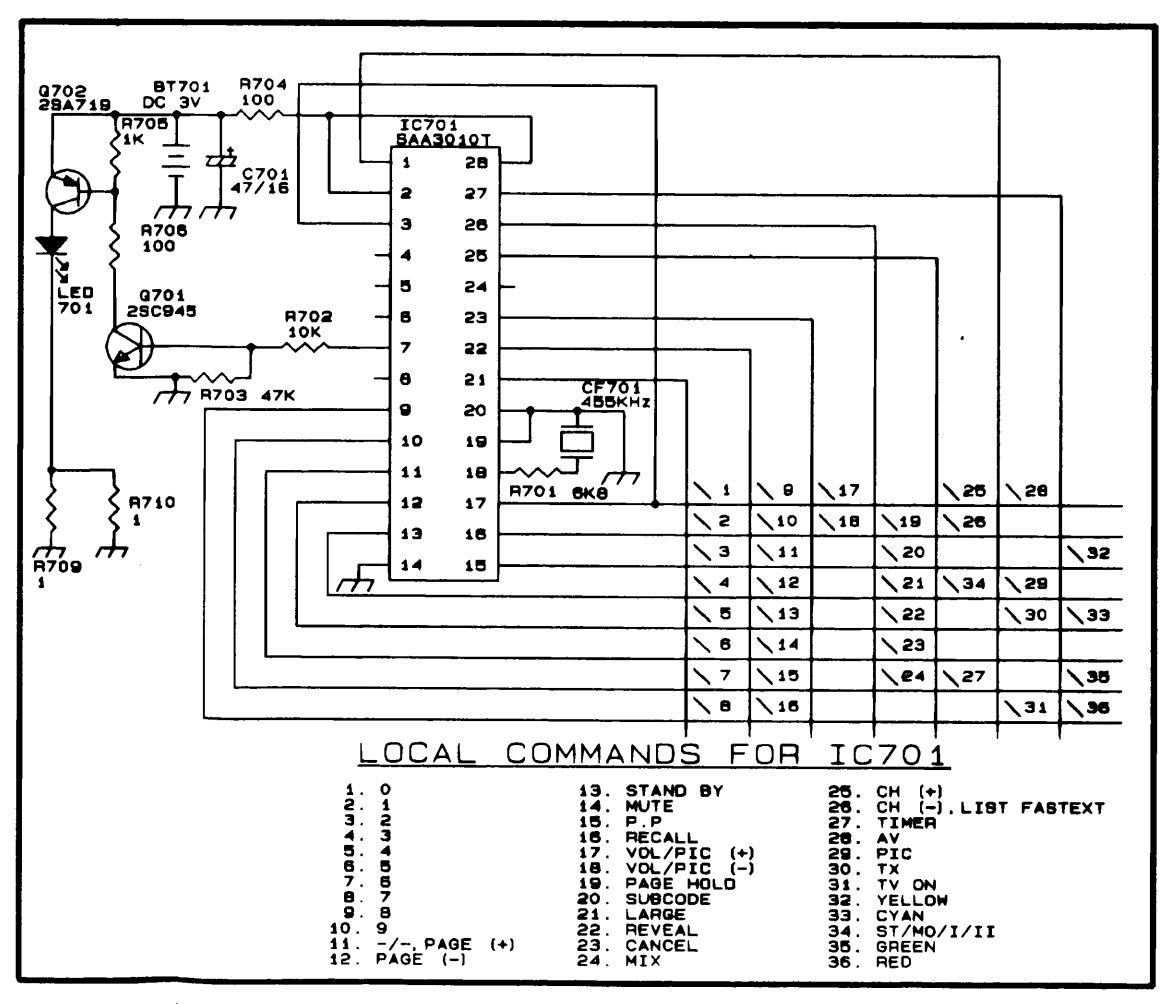
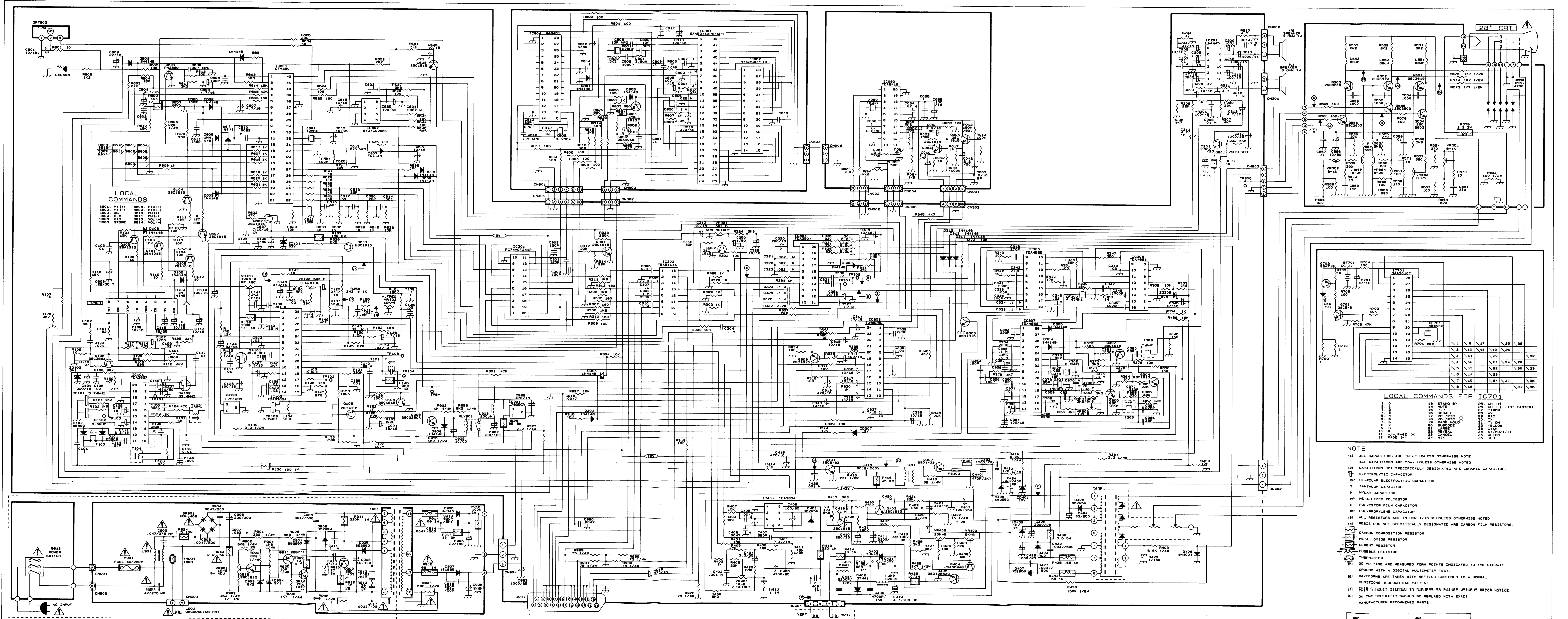
Part Number	Description	
12733604203	ELECT. CAP. 33 MFD 16V +-20%	
12733604223	ELECT. CAP. BIPOLAR 33 MFD 16V	+20%
12733625203	ELECT CAP. 33 MFD 250V +-20%	
12733806203	ELECT CAP. 3300 MFD 35V +-20%	
12747507203	ELECT CAP 4.7 MED 50V	
12747510223	ELECT CAP.BIPOLAR 4.7MFD 100V	+20%
12747604203	ELECT. CAP. 47 MFD 16V +-20%	
12747607207	ELECT.CAP. 47 MFD 50V +-20%	NICHICON
12747609407	ELECT CAP. 47 MFD 63V +-20%	105øC "NICHICON"
12747704203	ELECT. CAP. 470 MFD 16V +-20%	
12747805203	ELECT. CAP. 4700MFD 25V +-20%	
13013414801	SILICON DIODE IN4148	
13013414801	SILICON DIODE IN4148	
13024080950	VERIABLE CAPACITANCE DIODE	BB809
13031034100	RECTIFIER DIODE 3TH41 TOSHIBA	
13031034500	RECTIFIER DIODE 3JH45 TOSHIBA	
13031040600	BRIDGE RECTIFIER RBV-406	SANKEN
13031154560	RECTIFIER DIODE 1R5JH45	
13031400101	RECTIFIER DIODE 1N4001	
13031529500	RECTIFIER DIODE S5295G TOSHIBA	
13041005101	ZENER DIODE 5.1V 1/2W +-5%	
13041005601	ZENER DIODE 5.6V	
13041008201	ZENER DIODE 8.2V	
13041010001	ZENER DIODE 10V 1/2W	
13041012002	ZENER DIODE 12V HZ12A2	
13041057400	ZENER DIODE UPC 574J NEC	
13041109101	ZENER DIODE 9.1V	
13042212000	ZENER DIODE 1W 12V	
13051204400	LED 3MM RED 204HDC	
13121056418	TRANSISTOR 2SA564AQ	
13121101500	TRANSISTOR 2SA1015 TOSHIBA	
13122077420	TRANSISTOR 2SB774/Q/R/S	MATSUSHITA
13123180900	TRANSISTOR 2SC1809 ROHM	
13123181525	TRANSISTOR 2SC1815 TOSHIBA	
13123181525	TRANSISTOR 2SC1815 TOSHIBA	
13123223000	NPN-TR 2SC2230A-Y (TOSHI) TO92	VCE=180V IC=.1A HFE=120-240
13123248200	TRANSISTOR 2SC2482 TOSHIBA	
13123361900	TRANSISTOR 2SC3619	
13123470600	TRANSISTOR 2SC4706 SHIN HO	
13124140625	TRANSISTOR 2SD1406-Y TOSHIBA	
13124140627	TRANSISTOR 2SD1406-GR TOSHIBA	
13124154700	TRANSISTOR 2SD1547 TOSHIBA	
13146236900	TRANSISTOR PH2369 PHILIPS	
13310035233	I.C. CTV350S.GW2 PHILIPS	
13310242131	I.C. ST24C02AB1 SGS	
13310350433	I.C. TDA3504 PHILIPS	
13310385733	IC TDA3857 PHILIPS	
13310456533	I.C. TDA4565 PHILIPS	
13310465033	I.C. TDA 4650 PHILIPS	
13310466533	I.C. TDA4665 (PHILIPS IC)	
13310830533	IC TDA8305A PHILIPS	
13310841633	I.C. TDA8416 PHILIPS	
13310862814	IC TA8628N TOSHIBA	
13320365433	I.C. TDA3654 (PHILIPS)	

Part Number	Description	
13320444516	I.C. LA4445 SANYO	
13320780531	I.C. L7805CV SGS	
13320781231	IC L7812CV SGS-THOMSON	
13330424133	I.C. PC74HCT241P PHILIPS	
13330511431	I.C. TEA5114A SGS	
13650000200	REMOTE RECEIVER (HC-SZ02)	
13710000031	CRYSTAL 10 MHZ HOORAY	
13771590920	CRYSTAL 7.15909 MHz	
13788672320	CRYSTAL 8.86 MHz KDS	
14610000213	TACT SWITCH KSM0634A HDK	
14610000614	POWER SWITCH PS5E-B	"CHINA LANDMARK"
14610401613	TACT SWITCH 31TM116A UNITRONIC	
16010100108	PIN CONNECTOR 1 PIN PLUG	STRAIGHT
16010225527	PIN CONNECTOR 2 PINS PLUG	STRAIGHT (UL) (S.H.S)
16010280508	PIN CONNECTOR 2 PIN PLUG	STRAIGHT
16010325527	PIN CONNECTOR 3 PINS PLUG	
16010380508	PIN CONNECTOR 3 PIN PLUG	STRAIGHT
16010425527	PIN CONNECTOR 4 PINS PLUG	(SHS)
16010480508	PIN CONNECTOR 4 PIN PLUG	STRAIGHT
16010525527	PIN CONNECTOR 5 PINS WAFER	2.5 PITCH
16010625527	PIN CONNECTOR 6 PINS WAFER	(SHS) S11-W
16154010501	CRT SOCKET HPS0199-01-020	(HOSIDEN) 29MM THICK
16168370222	21 PIN SOCKET	
17212003240	UL 1007 STANDARD WIRE AWG 20	320 MM BLACK 10 X 10 MM
17262000540	UL 1007 TOP COAT WIRE AWG 20	50MM BLACK 5 X 5MM
17262001040	UL 1007 TOP COAT WIRE AWG 20	100MM BLACK 10 X 10 MM
17262001443	UL 1007 TOP COAT WIRE AWG 20	140MM ORANGE 10 X 10MM
17262600840	UL 1007 TOP COAT WIRE AWG 26	80MM BLACK 10 X 10 MM
17262600840	UL 1007 TOP COAT WIRE AWG 26	80MM BLACK 10 X 10 MM
17262601442	UL 1007 TOP COAT WIRE AWG 26	140MM RED 10 X 10 MM
17262601442	UL 1007 TOP COAT WIRE AWG 26	140MM RED 10 X 10 MM
17262601443	UL 1007 TOP COAT WIRE AWG 26	140MM ORANGE 10 X 10 MM
17262601643	UL 1007 TOP COAT WIRE AWG 26	160MM ORANGE 10 X 10 MM
17262601843	UL 1007 TOP COAT WIRE AWG 26	180MM ORANGE 10 X 10 MM
17262602043	TOP COAT WIRE 200MM AWG 26	ORANGE 10 X 10MM
17262602441	UL 1007 TOP COAT WIRE AWG 26	240MM BROWN 10 X 10 MM
17272600099	BARE WIRE 54MM	
17272600099	BARE WIRE 54MM	
17272600099	BARE WIRE 54MM	
17272600099	BARE WIRE 54MM	
17283012099	FLAT BRIDED WIRE	
17483302650	DOUBLE SHIELD WIRE UL 2547 AWG	28 260MM BLACK
17765505302	2 PIN FLAT CABLE WIRE AWG 26	50MM
17900101000	OIL SLEEVING 1 mm DIA.	
17900101000	OIL SLEEVING 1 mm DIA.	
17900101000	OIL SLEEVING 1 mm DIA.	
17910500000	UL PVC TUBE 5mm DIA	
17910500000	UL PVC TUBE 5mm DIA	
17911050000	UL PVC TUBE 11MM DIA.	
17940303000	3MM DIA. SHRINKABLE TUBE	
17940503000	5 mm DIA SHRINKABLE TUBE	
18222400003	FUSE T4A 250V	
18435080508	AXIAL LEAD BEAD INDUCTORS	"COILS"
19088200AXE	POWER SWITCH P.C.B. (131196)	

Part Number	Description	
19088280300	CRT P.C.B. (280593)	
19088280DXH	POWER BOARD (160996)	
19088281401	MAIN P.C.BOARD (090197)	
19094200309	NICAM/STEREO P.C.B. (061196)	
19110100007	1 PIN DOUBLE INSOLATION WIRE	L=560MM
19110100107	1 PIN DOUBLE INSOLATION WIRE	L=600MM
19110100707	1 PIN SOCKET ASS'Y L=350MM	
19120003109	2 PIN SOCKET ASS'Y L=80MM	
19120100407	2 PINS SOCKET ASS'Y L=500MM	
19120100607	2 PINS SOCKET ASS'Y L=700MM	
19130100307	3 PINS SOCKET ASS'Y L=450MM	
19130100307	3 PINS SOCKET ASS'Y L=450MM	
19130100307	3 PINS SOCKET ASS'Y L=450MM	
19130100607	3 PIN SOCKET ASS'Y L=200MM	
19130120507	3 PINS SOCKET ASS'Y L=100MM	
19130120707	3 PIN SOCKET ASS'Y L=200MM	
19140120107	4 PINS SOCKET ASS'Y L=60MM	
19150004809	5 PIN SOCKET ASSM'Y L=480MM	
19150004809	5 PIN SOCKET ASSM'Y L=480MM	
50430500610	MACHINE SCREW 3 X 6 B/M	(WHITE)
50930501000	MACHINE SCREW 3 X 10 KM	(BLACK)
51440041210	SELF-TAPPING SCREW 4 X 12 B/T	(HARDEN)
51440042510	SELF-TAPPING SCREW 4 X 25 B/T	(HARDEN)
51530331010	SELF-TAPPING SCREW 3 X 10	W/P/A (HARDEN)
51530340810	SELF-TAPPING SCREW 3 X 8	W/B/T (HARDEN)
51530340810	SELF-TAPPING SCREW 3 X 8	W/B/T (HARDEN)
51530340810	SELF-TAPPING SCREW 3 X 8	W/B/T (HARDEN)
51530341010	SELF-TAPPING SCREW 3 X 10	W/B/T (HARDEN)
51530341010	SELF-TAPPING SCREW 3 X 10	W/B/T (HARDEN)
51530641210	SELF-TAPPING SCREW 3 X 12	W/B/T (HARDEN)
51730331210	SELF-TAPPING SCREW 3 X 12 W/A	W/H=7MM (HARDEN)
52493290101	CRT MOUNTING SCREW 7 X 40 VP	(HARDEN)
54002003001	EYELET 2 X 3 MM	
58010126101	CABLE TIE L=100MM	
58010126101	CABLE TIE L=100MM	
58010126101	CABLE TIE L=100MM	
62288280200	FELT L240 X W17 X T0.5MM	W/TAPE
63011452000	FIBRE WASHER	
63011551200	FIBRE WASHER 11 X 5.5 X 1.2 mm	
63023801000	FIBRE WASHER OD=23 , ID=8	T=1MM
74488130100	SPRING FOR C.R.T. MOUNTING 5.2	X 42 X 0.6MM
74606310100	TEST PIN:TOTAL LENGTH 18.6mm	THK:0.8mm
75006310100	SOLDERING LUG LEG:8X4MM	
75006310201	35MM SOLDERING LUG	OD:7 ID:3.2 LEG:4X35MM
76668680100	FUSE HOLDER	
77794210100	SPRING IN 8.4 X L18	
77988280100	IRON HEAT SINK	
77993250100	IRON HEAT SINK	
78188280102	ALUMINIUM HEAT SINK (A)(2MM	THK.)
78188280500	ALUMINIUM HEAT SINK	
78188280700	ALUMINIUM HEAT SINK	
78188280800	HEAT SINK (FOR M.V. P.C.B.)	
78193280100	ALUMINIUM HEAT SINK (POWER)	
78193280200	ALUMINIUM HEAT SINK	

Part Number	Description	
78193290201	ALUMINIUM HEAT SINK (B)	
78388130601	SHIELD CAN COVER	
78388131301	SHIELD CAN	
81005220414	POLYBAG 5" X 22" X 0.04MM	PO MAT W/RE-CYCLING MARK
81009150413	POLYBAG 9" X 15" X 0.04MM W/	RE-CYCLING MARK
81045530414	POLYBAG 45"X53"X0.04MM W/PUNCH	HOLE/RE-CYCLING MARK (P/O MAT)
83423080100	RUBBER WASHER OD=23 , ID=8 ,	T=1.0
84001102421	PAD CORD L240 X W10 X T1 MM	W/TAPE
84005103011	RUBBER PAD (ONE SIDE W/TAPE)	
89688210100	POWER BOARD COVER (UL)	
920882803U1	MTG. BRACKET HIPS UL 94VO	
92988210300	LED HOLDER BKT	
93888200100	SECAM BOARD HOLDER	
93994210100	POWER KNOB ADAPTOR	
94888200300	DOOR LOCKER	
95488210000	AC LINE CORD CLIP	
95488280100	STUD POST	
95488280300	HIGH VOLTAGE CABLE SPACER	
97788280101	PUSH BUTTON - BLACK MOULDED	



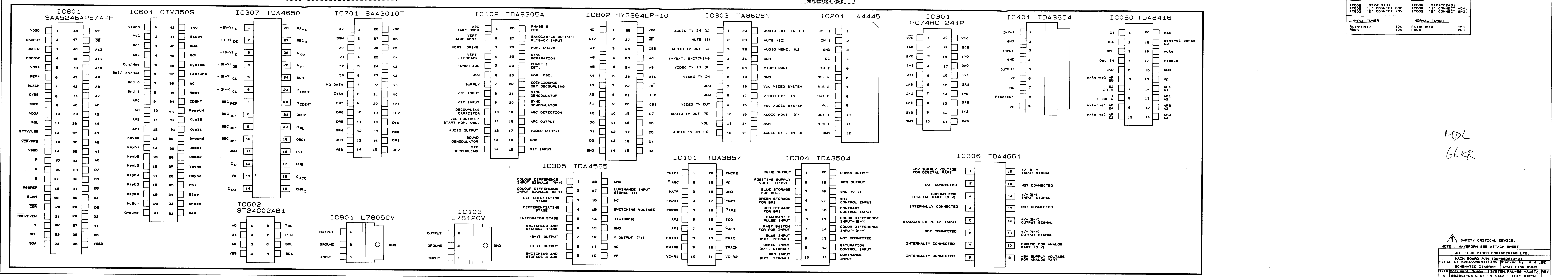


**LOCAL COMMANDS FOR IC701**

IC701	IC701	IC701	IC701	IC701	IC701	IC701	IC701	IC701	IC701
1	2	3	4	5	6	7	8	9	10
11	12	13	14	15	16	17	18	19	20
21	22	23	24	25	26	27	28	29	30
31	32	33	34	35	36	37	38	39	40
41	42	43	44	45	46	47	48	49	50
51	52	53	54	55	56	57	58	59	60
61	62	63	64	65	66	67	68	69	70
71	72	73	74	75	76	77	78	79	80
81	82	83	84	85	86	87	88	89	90
91	92	93	94	95	96	97	98	99	100

**NOTE:**

- ALL CAPACITORS ARE IN  $\mu$ F UNLESS OTHERWISE NOTED
- ALL CAPACITORS ARE 50V UNLESS OTHERWISE NOTED
- CAPACITORS NOT SPECIFICALLY DESIGNATED ARE CERAMIC CAPACITOR
- ELECTROLYTIC CAPACITOR
- RECTANGULAR ELECTROLYTIC CAPACITOR
- TANTALUM CAPACITOR
- MYLAR CAPACITOR
- METALLIZED POLYESTER
- POLYESTER FILM CAPACITOR
- POLYPROPYLENE CAPACITOR
- ALL RESISTORS ARE IN OHM  $\frac{1}{10}$  W UNLESS OTHERWISE NOTED
- RESISTORS NOT SPECIFICALLY DESIGNATED ARE CARBON FILM RESISTORS
- CARBON COMPOSITION RESISTOR
- METAL OXIDE RESISTOR
- PRECISION RESISTOR
- FILM RESISTOR
- TRIMMER
- 50V VOLTAGE ARE MEASURED FROM POINTS INDICATED TO THE CIRCUIT
- GROUND WITH A DIGITAL MULTIMETER TEST
- WAVEFORMS ARE TAKEN WITH METTING CONTROLS TO A NORMAL CONDITION (COLOR BAR PATTERN)
- THIS CIRCUIT DIAGRAM IS SUBJECT TO CHANGE WITHOUT PRIOR NOTICE
- ON THE SCHEMATIC SHOULD BE REPLACED WITH EXACT MANUFACTURER'S RECOMMEND PARTS



MDL  
66R

**SAFETY CRITICAL DEVICE**  
 NOTE: ALWAYS USE ATTACH SHEET  
 AMT-TECH VIDEO ENGINEERING LTD.  
 1000 BROADVIEW AVE. UNIT 100  
 SCARBOROUGH, ONTARIO M1B 4Y4  
 CANADA  
 TEL: (416) 291-1888 FAX: (416) 291-1889